

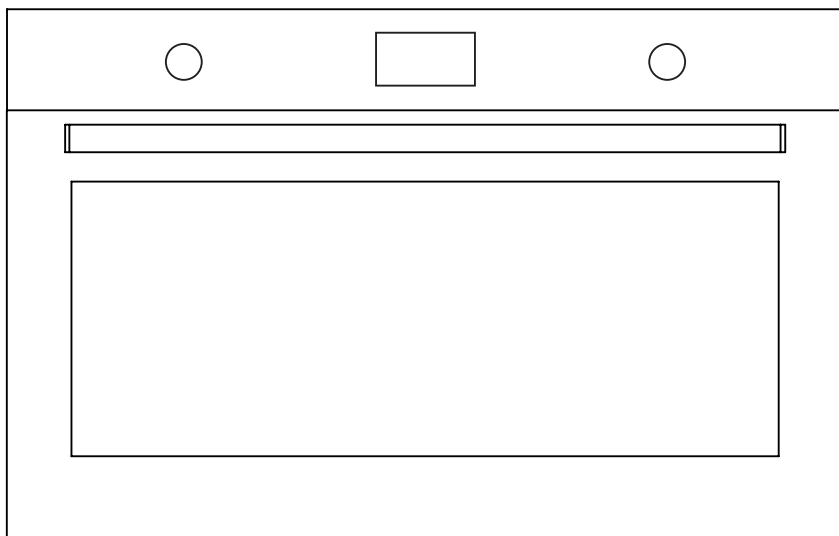
OCEAN®

BUILT-IN OVEN

90 cm

Gas and electric

غاز وكهرباء



USER MANUAL **GB**

دليل المستخدم **SA**

Dear Customer,

Thank you for relying on this product. We aim to allow you to optimally and efficiently use this environment-friendly product produced in our modern facilities under precise conditions with respect to sense of quality in total.

We advise you to read these operating manual thoroughly before using the oven and keep it permanently so that the features of the built-in oven you have purchased will stay the same as the first day for a long time.

Note: This operating manual is prepared for multiple models. Your appliance may not feature some functions specified in the manual.

The product images are schematic.

This product has been produced in modern environment-friendly facilities without adversely affecting nature.

Products marked with (*) are optional.


"Complies with WEEE Regulation"

Contents

Important warnings.....	4
Electrical connection.....	14
Gas connection.....	15
Introducing the appliance.....	19
Accessories.....	20
Technical specifications.....	21
Installation of appliance.....	21
Control panel.....	27
Using the oven.....	29
Using the grill.....	30
Using the grill deflector sheet.....	30
Lighting the oven manuell.....	31
Using the chicken roasting.....	31
Program types.....	32
Cooking recommendations.....	32
Cooking table.....	33
Maintenance and cleaning.....	34
Cleaning oven glass.....	34
Cleaning and mounting oven door.....	35
Catalytic panel.....	36
Rack positions.....	36
Replacing oven lamp.....	37
Troubleshooting.....	38
Handling rules.....	40
Recommendations for energy saving.....	40
Environmentally-friendly disposal.....	41
Package information.....	41

IMPORTANT WARNINGS

1. Installation and repair should always be performed by **“AUTHORIZED SERVICE”**. Manufacturer shall not be held responsible for operations performed by unauthorized persons.
2. Please read this operating instructions carefully. Only by this way you can use the appliance safely and in a correct manner.
3. The oven should be used according to operating instructions.
4. Keep children below the age of 8 and pets away when operating.
5. **The accessible parts may be hot during use. Young children must be kept away.**
6. **WARNING: Danger of fire: do not store items on the cooking surfaces.**
7. **WARNING: During use the appliance becomes hot. Care should be taken to avoid touching heating elements inside the oven.**
8. Setting conditions of this device are specified on the label. (Or on the data plate)
9. The accessible parts may be hot when the grill is used. Small children should be kept away.
10. **WARNING: This appliance is intended for cooking. It should not be used for other purposes like heating a room.**
11. To clean the appliance, do not use steam cleaners.



12. Ensure that the oven door is completely closed after putting food inside the oven.

13. NEVER try to put out the fire with water. Only shut down the device circuit and then cover the flame with a cover or a fire blanket.

14. WARNING: Children less than 8 years of age shall be kept away unless continuously supervised.

15. Touching the heating elements should be avoided.

16. CAUTION: Cooking process shall be supervised. Cooking process shall always be supervised.

17. This appliance can be used by children aged from 8 years and above and persons with reduced physical, sensory or mental capabilities or lack of experience and knowledge if they have been given supervision or instruction concerning use of the appliance in a safe way and understand the hazards involved. Children shall not play with the appliance. Cleaning and user maintenance shall not be made by children without supervision.

18. This device has been designed for household use only.

19. Children must not play with the appliance. Cleaning or user maintenance of the appliance shall not be performed by children unless they are older than 8 years and supervised by adults.

20. Keep the appliance and its power cord away from children less than 8 years old.

21. Put curtains, tulle, paper or any flammable (ignitable) material away from the appliance before starting to use the appliance. Do not put ignitable or flammable materials on or in the appliance.

22. Keep the ventilation channels open.

23. The appliance is not suitable for use with an external timer or a separate remote control system.

24. Do not heat closed cans and glass jars. The pressure may lead jars to explode.

25. Oven handle is not a towel drier. Do not hang towels, etc. on the oven handle.

26. Do not place the oven trays, plates or aluminium foils directly on the oven base. The accumulated heat may damage the base of the oven.

27. While placing food to or removing food from the oven, etc., always use heat resistant oven gloves.

28. Do not use the product in states like medicated and/or under influence of alcohol which may affect your ability of judgement.

29. Be careful when using alcohol in your foods. Alcohol will evaporate at high temperatures and may catch fire to cause a fire if it comes in contact with hot surfaces.

30. After each use, check if the unit is turned off.

31. If the appliance is faulty or has a visible damage, do not operate the appliance.

32. Do not touch the plug with wet hands. Do not pull the cord to plug off, always hold the plug.

33. Do not use the appliance with its front door glass removed or broken.

34. Place the baking paper together with the food into a pre-heated oven by putting it inside a cooker or on an oven accessory. (tray, wire grill etc.)

35. Do not put objects that children may reach on the appliance.

36. It is important to place the wire grill and tray properly on the wire racks and/or correctly place the tray on the rack. Place the grill or tray between two rails and make sure it is balanced before putting food on it.

37. Against the risk of touching the oven heater elements, remove excess parts of the baking paper that hang over from the accessory or container.

38. Never use it at higher oven temperatures than the maximum usage temperature indicated on your baking paper. Do not place the baking paper on the base of the oven. Against the risk of touching the oven heater elements, remove excess parts of the baking paper that hang over from the accessory or container.

39. When the door is open, do not place any heavy object on the door or allow children to sit on it. You may cause the oven to overturn or the door hinges to be damaged.

40. The packaging materials are dangerous for children. Keep packaging materials away from the reach of children.

41. Do not use abrasive cleaners or sharp metal scrapers to clean the glass as the scratches that may occur on the surface of the door glass may cause the glass to break.

42. User should not handle the oven by himself.

43. During usage, the internal and external surfaces of the oven get hot. As you open the oven door, step back to avoid the hot vapour coming out from the interior. There is risk of burning.

44. Do not place heavy objects when oven door is open, risk of toppling.

45. Oven supply can be disconnected during any construction work at home. After completing the work, re-connecting the oven shall be done by authorized service.

46. User should not dislocate the resistance during cleaning. It may cause an electric shock.

47. To prevent overheating, the appliance should not be installed behind of a decorative cover.

48. Turn off the appliance before removing the safeguards. After cleaning, install the safeguards according to instructions.

49. Cable fixing point shall be protected.

50. Please don't cook the food directly on the tray / grid. Please put the food into or on appropriate tools before putting them in the oven.

51. For hobs incorporating halogen lamps the user not to stare at the halogen lamp.

Electrical Safety

1. Plug the appliance in a grounded socket protected by a fuse conforming to the values specified in the technical specifications chart.
2. Have an authorized electrician set grounding equipment. Our company shall not be responsible for the damages that shall be incurred due to using the product without grounding according to local regulations.
3. The circuit breaker switches of the oven shall be placed so that end user can reach them when the oven is installed.
4. The power supply cord (the cord with plug) shall not contact the hot parts of the appliance.
5. If the power supply cord (the cord with plug) is damaged, this cord shall be replaced by the manufacturer or its service agent or an equally qualified personnel to prevent a hazardous situation.
6. Never wash the appliance by spraying or pouring water on it. There is a risk of electrocution.
7. **WARNING: To avoid electric shock, ensure that the device circuit is open before changing the lamp.**
8. **WARNING: Cut off all supply circuit connections before accessing the terminals.**
9. Do not use cut or damaged cords or extension cords other than the original cord.
10. Make sure that there is no liquid or humidity in the outlet where the product plug is installed.

11. The rear surface of the oven also heats up when the oven is operated. Electrical connections shall not touch the rear surface, otherwise the connections may be damaged.

12. Do not tighten the connecting cables to the oven door and do not run them over hot surfaces. If the cord melts, this may cause the oven to short circuit and even a fire.

13. Unplug the unit during installation, maintenance, cleaning and repair.

14. If the power supply cable is damaged, it must be replaced by its manufacturer or authorized technical service or any other personnel qualified at the same level, in order to avoid any dangerous situation.

15. Make sure the plug is inserted firmly into wall socket to avoid sparks.

16. Do not use steam cleaners for cleaning the appliance, otherwise electric shock may occur.

17. An omnipolar switch capable to disconnect power supply is required for installation. Disconnection from power supply shall be provided with a switch or an integrated fuse installed on fixed power supply according to building code.

18. Appliance is equipped with a **type "Y"** cord cable.

19. Fixed connections shall be connected to a power supply enabling omnipolar disconnection. For appliances with over voltage category below III, disconnection device shall be connected to fixed power supply according to wiring code.

Gas Safety

1. This appliance is not connected to burning products evacuation apparatus. This appliance must be connected and installed according to the installation regulations in force. Conditions regarding ventilation must be considered.

2. When a gas cooking appliance is used; humidity, heat and burning products are generated in the room. First of all, make sure the kitchen is well ventilated when operating the appliance and maintain natural ventilation openings or install a mechanical ventilation equipment.

3. After using the appliance heavily for an extended period of time, additional ventilation may be required. For example open a window or adjust a higher speed for mechanical ventilation, if any.

4. This appliance must be used only in well ventilated locations in accordance with the regulations in force. Please read the manual before installing or using this product.

5. Before positioning the appliance, make sure local network conditions (gas type and gas pressure) meets appliance requirements.

6. All kinds of operations to be performed on gas installation must be performed by authorized and competent people.

7. This appliance is adjusted for natural gas (NG). If you have to use your product with a different gas type, you have to apply to authorized service for the conversion.

8. For proper operation, hood, gas pipe and clamp should be replaced periodically according to manufacturer recommendations and when required.

9. Gas should burn well in gas products. Well burning gas can be understood from blue flame and continuous burning. If gas does not burn sufficiently, carbon monoxide (CO) can be generated. Carbon monoxide is a colourless, odourless and very toxic gas; even small amounts have lethal effect.

10. Ask your local gas supplies about the phone numbers for emergencies related to gas and the measures to be taken upon gas odour is detected.

What To Do When Gas Odour Is Detected

1. Do not use naked flame, and do not smoke.
2. Do not operate any electrical switch.
(For example: lamp switch or doorbell)
3. Do not use telephone or mobile phone.
4. Open the doors and windows.
5. Close all valves on the appliances that utilize gas and the gas counters.
6. Call fire brigade from a telephone outside the home.
7. Check all hoses and their connections against leaks.
If you still smell gas, leave the house and warn your neighbours.
8. Do not enter into the house until authorities clarify it is safe.



Intended Use

- 1.** This product has been designed for domestic use. Commercial use is not permitted.
- 2.** This appliance may only be used for cooking purposes. It shall not be used for other purposes like heating a room.
- 3.** This appliance shall not be used to heat plates under the grill, drying clothes or towels by hanging them on the handle or for heating purposes.
- 4.** The manufacturer assumes no responsibility for any damage due to misuse or mishandling.
- 5.** Oven part of the unit may be used for thawing, roasting, frying and grilling food.
- 6.** Operational life of the product you have purchased is 10 years. This is the period for which the spare parts required for the operation of this product as defined is provided by the manufacturer.

Electrical Connection

This oven must be installed and connected to its place correctly according to manufacturer instructions and by an authorized service.

Appliance must be installed in an oven enclosure providing high ventilation.

Electrical connections of the appliance must be made only via sockets having earth system furnished in compliance with rules. Contact an authorized electrician if there is no socket complying with the earthed system at where appliance will be placed. Manufacturing company is by no means responsible for damage resulting from connection of non-earthed sockets to appliance.

Plug of your oven must be earthed; ensure that socket for the plug is earthed. Plug must be located in a place that can be accessed after installation.

Your oven has been manufactured as 220-240 V 50/60 Hz. AC power supply compliant and requires a 16 Amp fuse. If your power network is different that these indicated values, refer to an electrician or your authorized service.

When you need to replace the electrical fuse, please ensure that electrical connection is made as follows:

- Phase (to live terminal) brown cable
- Blue cable to neutral terminal
- Yellow-green cable to earth terminal

Oven disconnecting switches must be in an accessible place for final user while oven is in its place.

Power supply cable (plug in cable) mustn't touch hot parts of the appliance.

If supply cord (plug in cable) is damaged, this cord must be replaced by the importer or its service agent or an equally competent personnel to prevent a hazardous situation.

Gas Connection

WARNING: Before starting any work related with gas installation, turn off gas supply. Risk of explosion.

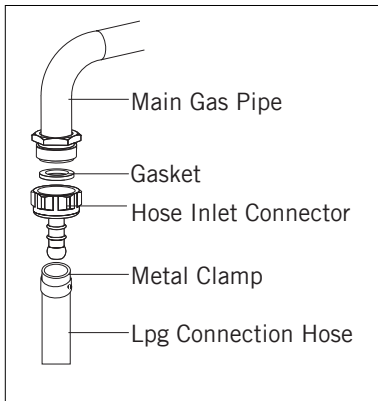
WARNING: Gas hose and electric connection of the appliance should not pass next to hot areas such as back of the appliance. Gas hose should be connected by making wide angle turns against breaking possibility. Movement of appliance whose gas connection is made may cause gas leakage.

WARNING: While making gas leakage control; never use lighter, match, glowing cigarette or similar inflammable matter.

Connect your appliance to gas oven from the shortest way and in a manner to prevent any leakage. For safety, the hose used should be maximum 125 cm and minimum 40 cm.

Apply soap bubble on connection point. If any leak/leakage exists, foaming will occur on soaped region.

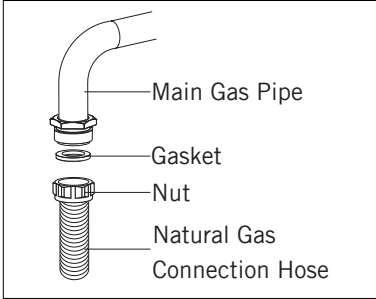
For LPG connection;



For LPG (cylinder) connection, affix metal clamp on the hose coming from LPG cylinder. Affix an edge of the hose on hose inlet connector behind the appliance by pushing to end through heating the hose in boiled water. Afterward, bring the clamp towards end section of the hose and tighten it with screwdriver. The gasket and hose inlet connector required for connection is as the picture shown below.

WARNING: The regulator to be affixed on LPG cylinder should have 300 mmSS feature.

For natural gas connection;



WARNING: Natural gas connection should be done by authorized service.

For natural gas connection, place gasket in the nut at the edge of natural gas connection hose. To install the hose on main gas pipe, turn the nut. Complete the connection by making gas leakage control.

Ventilation Of Room

The air needed for burning is received from room air and the gases emitted are given directly in room. For safe operation of your product, good room ventilation is a precondition. If no window or room to be utilized for room ventilation is available, additional ventilation should be installed. However, room has a door opening outside, it is no needed to vent holes.

Room size	Ventilating opening
Smaller than 5 m ³	min. 100 cm ²
Between 5 m ³ - 10 m ³	min. 50 cm ²
Bigger than 10 m ³	No need
In basement or cellar	min. 65 cm ²

Reduced gas flow rate setting for hob taps

1. Ignite the burner that is to be adjustment and turn the knob to the reduced position.

2. Remove the knob from the gas tap.

3. Use an appropriately sized screwdriver to adjust the flow rate adjustment screw. For LPG (butane-pro pane) turn the screw clockwise. For the naturel gas, you should turn the screw counter- clockwise once.

“The normal length of a straight flame in the reduced position should be 6-7 mm.”

4. If the flame is higher then the desired position, turn the screw clockwise. If it is smaller turn anticlockwise.

5. For the last control, bring the burner both to higt-flame and reduced positions and check whether the flame is on or off.

Depending on the type of gas tap used in your appliance the adjustment screw position may vary.

To adjust your oven acc. to the gas type, make the adjustment for reduced flame carefully by turning with a small screwdriver as shown below on the screw in the middle of the gas cocks as well as nozzle changes (figure 1 and 2)

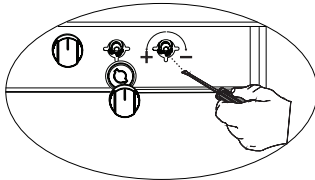


Figure 1

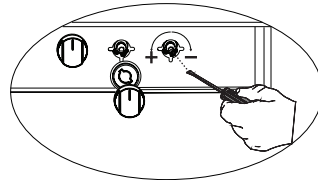


Figure 2

Removal of the lower and upper burner and installation of the injector to the gas oven

Removal of the upper burner:

With the help of a screw driver, remove the screw as shown in figure 3. As shown in figure 4, remove the burner from its place by pulling it to yourself. As shown in figure 5, remove the injector in the bearing with a socket wrench. In order to re-place the burner, apply the removal process reversely.

Figure 3

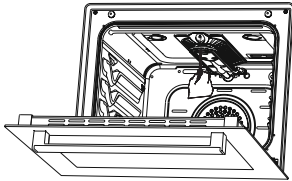


Figure 4

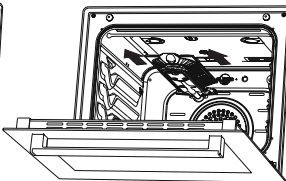
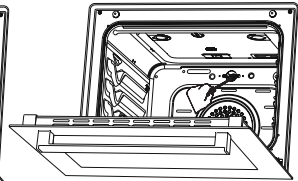


Figure 5



Removal of the lower burner:

The lower burner door has been fixed with two screws. As shown in figure 6, remove it with the help of a screw driver. Remove the door by pulling upwards as shown in figure 7. Remove the burner from its place by pulling it to yourself as shown in figure 8. As shown in figure 9, remove the injector in the bearing with a socket wrench. In order to replace the burner, apply the removal process reversely.

Figure 6

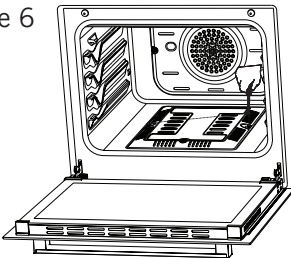


Figure 7

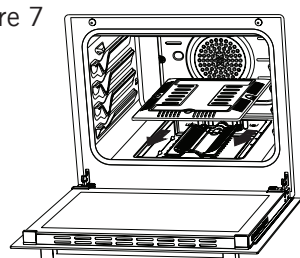


Figure 8

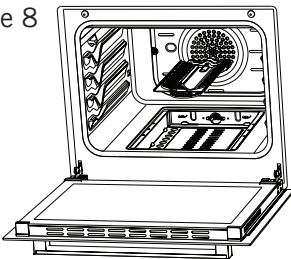
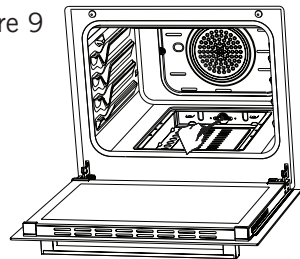
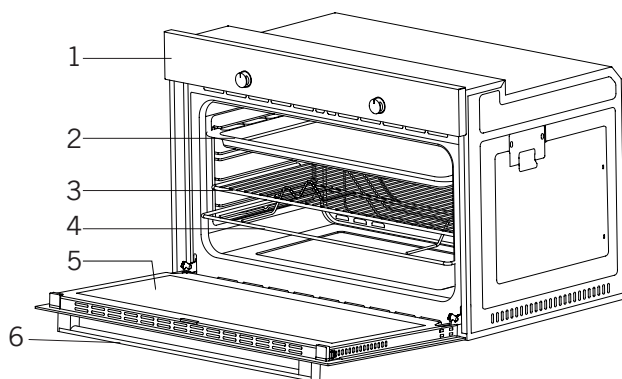


Figure 9

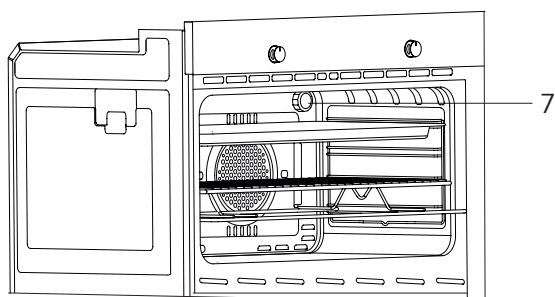


INTRODUCING THE APPLIANCE



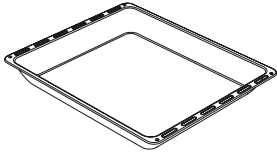
1. Control panel
2. Deep tray
3. Tray grid

4. Roast chicken skewer *
5. Oven door
6. Handle



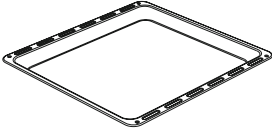
7. Lamp

Accessories



Deep tray *

Used for pastry, big roasts, watery foods. It can also be used as oil collecting container if you roast directly on grill with cake, frozen foods and meat dishes.



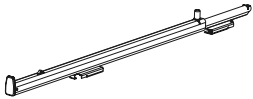
Tray

Used for pastry (cookie, biscuit etc.), frozen foods.



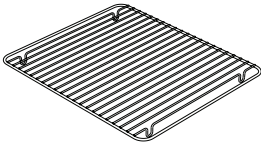
Wire grill

Used for roasting or placing foods to be baked, roasted and frozen into desired rack.



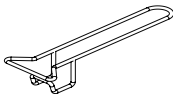
Telescopic rail *

Trays and wire racks can be removed and installed easily thanks to telescopic rails.



In tray wire grill *

Foods to stick while cooking such as steak are placed on in tray grill. Thus contact of food with tray and sticking are prevented.



Tray handle *

It is used to hold hot trays.

Technical Specifications

Specifications	90 cm Built-in oven
Lamp power	15-25 W
Thermostat	100-250 / Max °C
Grill heater	**2500 W / 3250 W
Supply voltage	220-240 V 50/60 Hz.

** only for mix product.

MFA1..., MFA2...

Burner Specifications	G20,20 mbar G25,25 mbar			G20,25 mbar		G30,28-30 mbar G31,37 mbar		G30,37 mbar		G30,50 mbar	
	Gas natural			Gas natural		LPG		LPG		LPG	
Grill burner	Injector	1,20	mm	1,20	mm	0,85	mm	0,85	mm	0,70	mm
	Gas flow	0,257	m³/h	0,257	m³/h	196	g/h	196	g/h	196	g/h
	Power	2,70	kW	2,70	kW	2,70	kW	2,70	kW	2,70	kW
Oven burner	Injector	1,35	mm	1,30	mm	0,92	mm	0,92	mm	0,75	mm
	Gas flow	0,333	m³/h	0,333	m³/h	254,5	g/h	254,5	g/h	254,5	g/h
	Power	3,50	kW	3,50	kW	3,50	kW	3,50	kW	3,50	kW

MFA3...

Burner Specifications	G20,20 mbar G25,25 mbar			G20,25 mbar		G30,28-30 mbar G31,37 mbar		G30,37 mbar		G30,50 mbar	
	Gas natural			Gas natural		LPG		LPG		LPG	
Grill burner	Injector	1,20	mm	1,15	mm	0,80	mm	0,75	mm	0,68	mm
	Gas flow	0,257	m³/h	0,257	m³/h	196	g/h	196	g/h	196	g/h
	Power	2,70	kW	2,70	kW	2,70	kW	2,70	kW	2,70	kW
Oven burner	Injector	1,25	mm	1,20	mm	0,90	mm	0,85	mm	0,78	mm
	Gas flow	0,333	m³/h	0,333	m³/h	254,5	g/h	254,5	g/h	254,5	g/h
	Power	3,50	kW	3,50	kW	3,50	kW	3,50	kW	3,50	kW

WARNING: Diameter values written on the injector are specified without a comma. For example; The diameter of 1,70 mm is specified as 170 on the injector.

Technical specifications can be changed without prior notice to improve product quality.

The values provided with the appliance or its accompanying documents are laboratory readings in accordance with the respective standards. These values may differ depending on the use and ambient conditions.

Figures in this guide are schematic and may not be exactly match your product.

INSTALLATION OF APPLIANCE

Ensure that electrical installation is suitable for operationalising the appliance. If not, call an electrician and plumber to make necessary arrangements. Manufacturing firm can't be hold responsible for damages to arise due to operations by unauthorized people and product warranty becomes void.

WARNING: It is customer's responsibility to prepare the location the product shall be placed on and also have power utility prepared.

WARNING: The rules about electrical local standards must be adhered to during product installation.

WARNING: Check for any damage on the product before installing it. Do not have product installed if it's damaged. Damaged products pose danger for your safety.

Important Warnings for Installation:

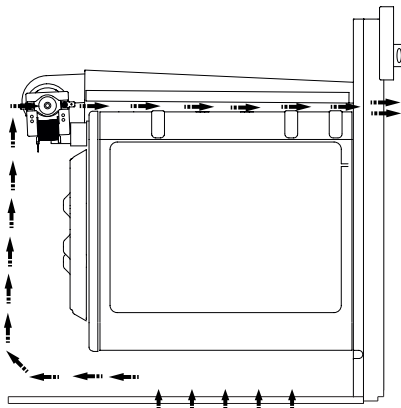


Figure 5

Cooling fan shall take extra steam out and prevent outer surfaces of appliance from overheating during operation of oven. This is a necessary condition for better appliance operation and better cooking. Cooling fan shall continue operation after cooking is finished. Fan shall automatically stop after cooling is completed.

A clearance must be left behind the enclosure where you'll place the appliance for efficient and good operation.

This clearance shouldn't be ignored as it's required for ventilation system of the appliance to operate.

Right Place For Installation

Product has been designed to be mounted to worktops procured from market. A safe distance must be left between the product and kitchen walls or furniture. See the drawing provided on the next page for proper distances. (values in mm).

- Used surfaces, synthetic laminates and adhesives must be heat resistant. (minimum 100 °C).

- Kitchen cupboards must be level with product and secured.
- If there is a drawer below the oven, a rack must be placed between oven and drawer.

WARNING: Do not install the product next to refrigerators or coolers. The heat emitted by the product increases the energy consumption of cooling devices.

WARNING: Do not use door and/or handle to carry or move the product.

90 cm Built-In Oven Installation and Mounting

Place of use for product must be located before starting installation.

Product mustn't be installed in places which are under the effect of strong air flow.

Carry the product with minimum two people. Do not drag the product so that floor isn't damaged.

Remove all transportation materials inside and outside the product. Remove all materials and documents in the product.

Installation Under Counter

Cabin must match the dimensions provided in figure 6.

A clearance must be provided at the rear part of the cabin as indicated in the figure so that necessary ventilation can be achieved.

After mounting, the clearance between lower and upper part of the counter is indicated in figure 9 with "A". It's for ventilation and shouldn't be covered.

Installation In An Elevated Cabinet

Cabin must match the dimensions provided in figure 8.

The clearances with the dimensions indicated in the figure must be provided at the rear part of cabin, upper and lower sections so that necessary ventilation can be achieved.

Installation Requirements

Product dimensions are provided in the figure 7.

Furniture surfaces for mounting and mounting materials to be used must have a minimum temperature resistance of 100 °C.

Mounting cabin must be secured and its floor must be plane for product not to tilt over.

Cabin floor must have a minimum strength that would handle a load of 60 kg.

Placing and Securing the Oven

Place the oven into the cabin with two or more people.

Ensure that oven's frame and front edge of the furniture match uniformly.

Supply cord mustn't be under the oven, squeeze in between oven and furniture or bend.

Fix the oven to the furniture by using the screws provided with the product. Screws must be mounted as shown in figure 9 by passing them through plastics attached to frame of the product. Screws mustn't be overtightened. Otherwise, screw sockets might be worn.

Check that oven doesn't move after mounting. If oven isn't mounted in accordance with instructions, there is a risk of tilt over during operation.

Electrical Connection

Mounting place of the product must have appropriate electrical installation.

Network voltage must be compatible with the values provided on type label of product.

Product connection must be made in accordance with local and national electrical requirements.

Before starting the mounting disconnect network power. Do not connect the product to network until its mounting is completed.

Mounting



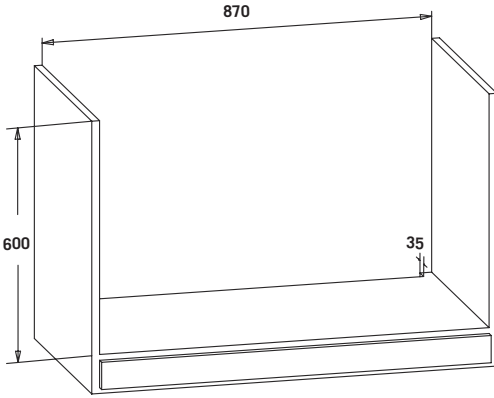


Figure 6

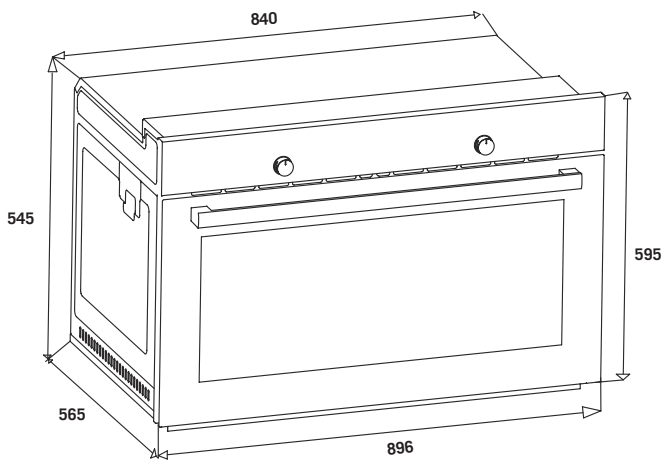
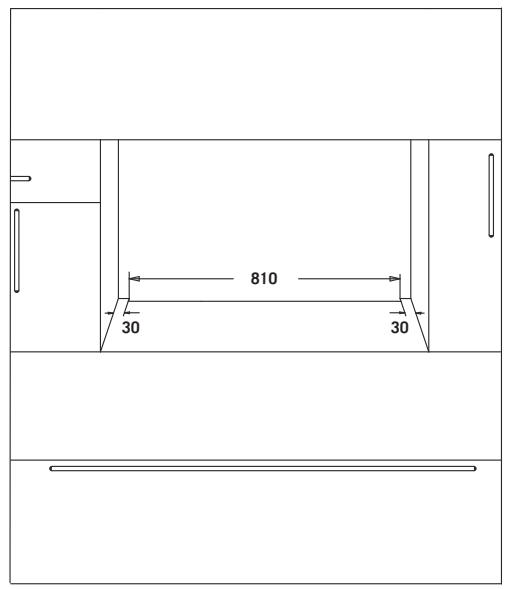


Figure 7

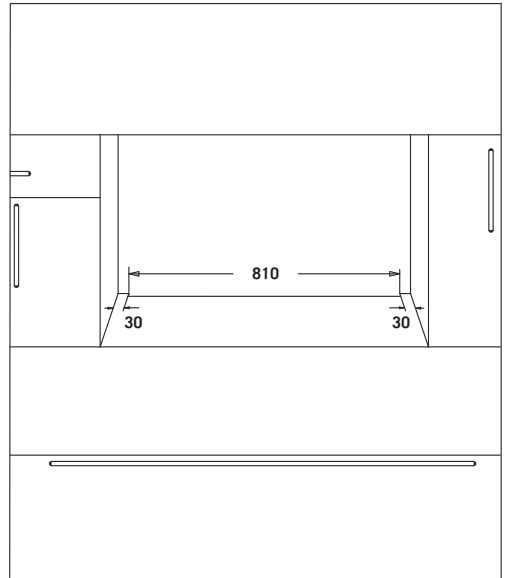
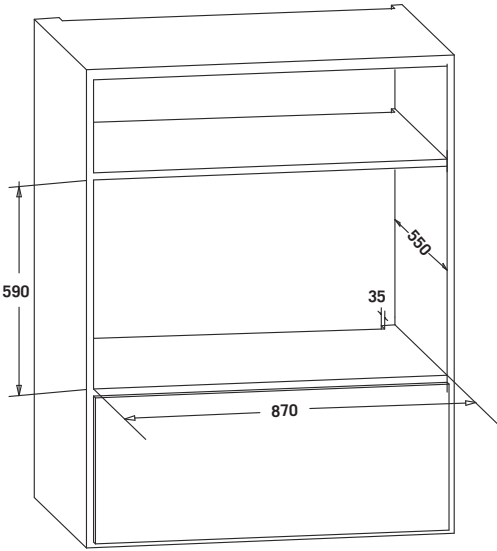


Figure 8

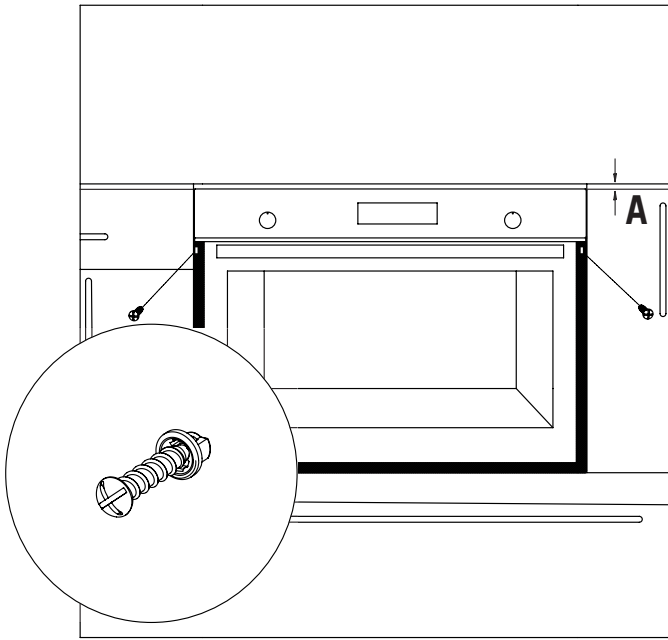
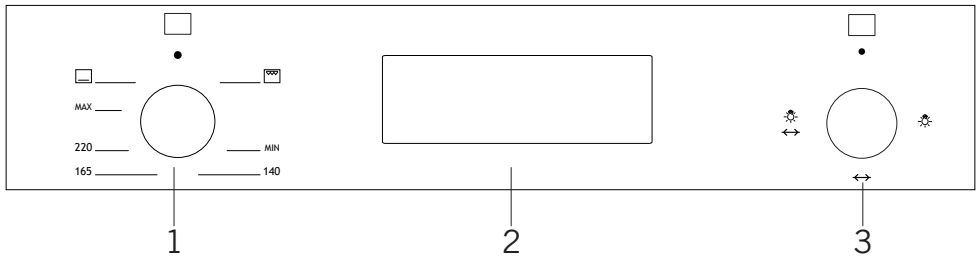


Figure 9

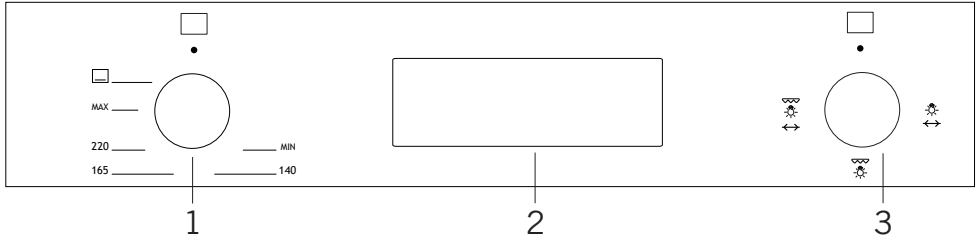
CONTROL PANEL

Built in Gas Oven Control Panel Picture



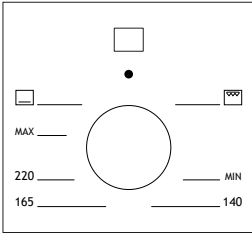
1. Oven control button
2. Mechanical or digital timer
3. Function button

Built in Mix Oven Control Panel Picture

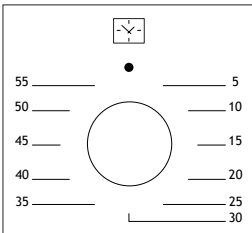


1. Oven control button
2. Mechanical or digital timer
3. Function button

WARNING: The control panel above is only for illustration purposes. Consider the control panel on your device.



Oven Control Button: Provides to control gas oven burners (for thermostatic oven burner and upper burner). Also you can use the ignition under knob function to flame the gas burners.



Mechanical Timer Button *: Helps to set time for the food to be cooked in the oven. See cooking table for cooking times.

USING THE OVEN

Initial Use Of Oven

Here are the things you must do at first use of your oven after making its necessary connections as per instructions:

- 1.** Remove labels or accessories attached inside the oven. If any, take out the protective folio on front side of the appliance.
- 2.** Remove dust and package residues by wiping inside of the oven with a damp cloth. Inside of oven must be empty. Plug the cable of appliance into the electrical socket.
- 3.** Set the thermostat button to the highest temperature (240 Max. °C) and run the oven for 30 minutes with its door closed. Meanwhile a slight smoke and smell might occur and that's a normal situation.
- 4.** Wipe inside of the oven with a slightly warm water with detergent after it becomes cold and then dry with a clean cloth. Now you can use your oven.

Normal Use Of Oven

- 1.** This gas oven's top (grill) and bottom burner can only be used one at a time. When you want use your chosen burner, first you press the tap knob and wait 5 seconds to purge air from the pipes. Then you can ignite the burner by automatic ignition system (optional) or match.
- 2.** Once the burner is lit, you must continue to hold the knob in for between 10 to 15 seconds for the flame supervisory system to work.
- 3.** When the burner is lit and fully established after a minute or two, then you can close the oven door.
- 4.** Cooling system of the appliance will continue to operate after cooking is completed. Do not cut the power of appliance in this situation which is required for appliance to cool down. System will shut down after cooling is completed.

Using The Grill

1. When you place the grill on the top rack, the food on the grill shall not touch the grill.
2. You can preheat for 5 minutes while grilling. If necessary, you may turn the food upside down.
3. Food shall be in the center of the grill to provide maximum air flow through the oven.

To turn on the grill;

1. Place the function button over the grill symbol.
2. Then, set it to the desired grill temperature.

To turn the grill off;

Set the function button to the off position.

WARNING: Keep the oven door closed while grilling. (electrical grill)

WARNING: Keep the oven door opened while grilling. (gas grill)

If your oven has a closed door grilling feature * ;

1. Turn on the grill when the oven door is open.
2. Preheat for 5 to 10 minutes when the oven door is open.
3. Then put the food you will grill and close the oven door.

Using The Grill Deflector Sheet *

1. A heat shield (figure 10) is designed to protect the control panel and knobs when the oven is in grill mode.
2. Please use the heat shield in order to avoid heat damage to the control panel and the control knobs when the oven is in grill mode.
3. Place the heat shield under the control panel by opening the oven front door. (figure 11)
4. Locate the two mounting tabs on the heat shield into the two slots under the control panel, then secure in place between oven and inner door by gently closing the door. (figure 12)
5. It is important to keep the door open the specified distance when grilling.
6. The heat shield will provide an ideal cooking performance while protecting the control panel and knobs.

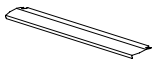


Figure 10

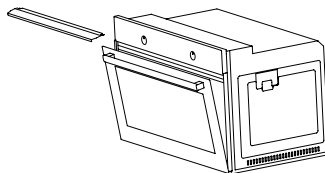


Figure 11

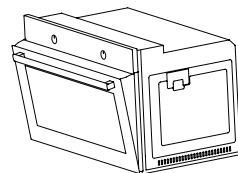


Figure 12

Lighting The Oven Manual

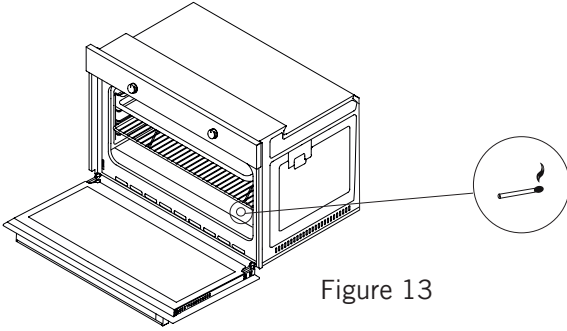


Figure 13

In the event of a power failure, the oven burner can be lit manually:

1. Open oven door
2. Hold match or lighter near the burner hole as shown in the figure.
3. Once the burner is lit, shut the oven door.

NOTE: If the oven burner is accidentally extinguished, turn the oven control knob to the off position, open the oven door, ventilate the kitchen and wait for least one minute before trying to light the burner again.

ATTENTION: Automatic switch is available in the oven. Use this feature when the power fails.

Using The Chicken Roasting *

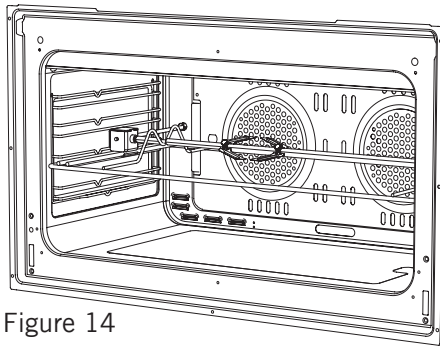
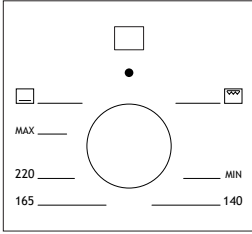


Figure 14

Place the spit on the frame. Slide turn spit frame into the oven at the desired level. Locate a dripping pan through the bottom in order to collect the fat. Add some water in dripping pan for easy cleaning. Do not forget to remove plastic part from spit. After grilling, screw the plastic handle to the skewer and take out the food from oven.

PROGRAM TYPES



Program Button: Helps to set with which heaters the food placed in oven will be cooked. Heater program types in this button and their functions are stated below. Every model might not have all heater types and thus program types of these heaters.

Heating program types in your appliance and important explanations of them are provided below for you can cook different foods appealing to your taste.

	Oven burner		Grill burner
	Roast chicken *		Lamp
	Timer		Turbo fan *

Oven Burner: You can reheat or brown meals using bottom heating. it is also most suitable of heating far preserving food.

Grill Burner: This function is used for grilling. Place food on the wire grid put wire grid into the oven top rack. After place oven deep tray under wire grid.

COOKING RECOMMENDATIONS

You can find in the following table the information of food types which we tested and identified their cooking values in our labs. Cooking times can vary depending on the network voltage, quality of material to be cooked, quantity and temperature. Dishes to cook by using these values might not appeal to your taste. You can set various values for obtaining different tastes and results appealing to your taste by making tests.

WARNING: Oven must be preheated for 7-10 minutes before placing the food in it.

Cooking Table

Food	Cooking function	Cooking temperature (°C)	Cooking rack	Cooking time (min.)
Cake	Oven	180	2	70
Small Cake	Oven	180	2	40
Pie	Oven	200	2	70
Pastry	Oven	180-200	2	20-25
Cookie	Oven	175	2	20
Apple Pie	Oven	180-190	1	150
Sponge cake	Oven	175	2	45-50
Pizza	Oven	190	2	25
Lasagne	Oven	180-200	2	50-60
Meringue	Oven	100	2	60
Grilled chicken *	Grill	220	4	25-35
Grilled fish *	Grill	220	4	35-40
Calf steak *	Grill	Max.	4	30
Grilled meatball *	Grill	Max.	4	40

* Food must be turned after half of the cooking time.

MAINTENANCE AND CLEANING

1. Remove the power plug from electrical socket.
2. Do not clean inner parts, panel, trays and other parts of the product with hard tools such as bristle brush, wire wool or knife. Do not use abrasive, scratching materials or detergent.
3. Rinse after wiping the parts at inner parts of the product with soapy cloth, then dry thoroughly with a soft cloth.
4. Clean glass surfaces with special glass cleaning material.
5. Do not clean your product with steam cleaners.
6. Never use combustibles like acid, thinner and gas while cleaning your product.
7. Do not wash any part of the product in dishwasher.
8. Use potassium stearate (soft soap) for dirt and stains.

Cleaning Oven Glass

Lift by pressing on plastic latches on left and right side as shown in figure 15 and pulling the profile toward yourself as in figure 16. Glass is released after profile is removed as shown in figure 17. Remove the released glass by pulling toward yourself carefully. Outer glass is fixed to oven door profile. You can perform glass cleaning easily after glasses are released. You can mount glasses back by performing the operations reversely after cleaning and maintenance are completed. Ensure that profile is seated properly in place.

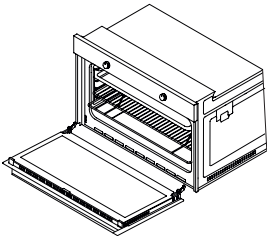


Figure 15

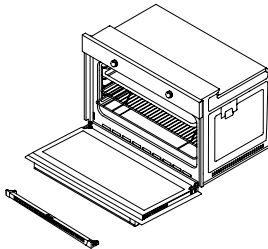


Figure 16

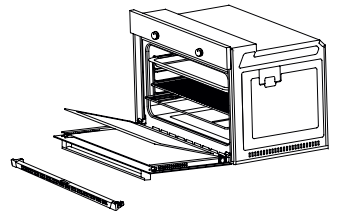


Figure 17

Cleaning And Mounting Oven Door

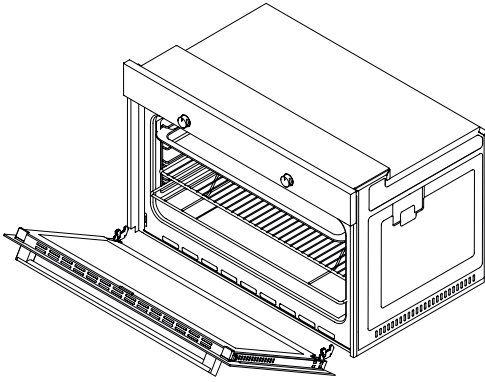


Figure 18

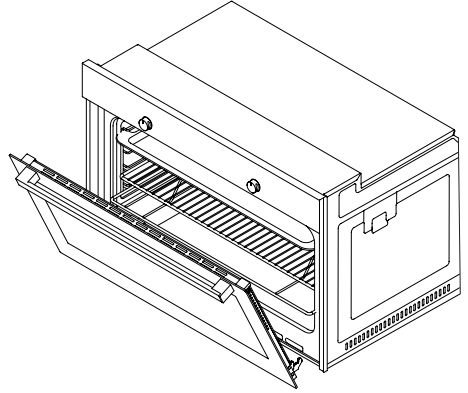


Figure 19

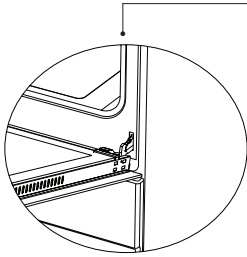


Figure 18.1

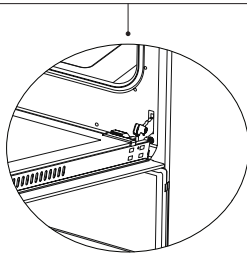


Figure 18.2

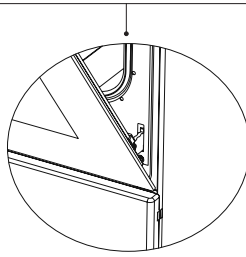


Figure 19.1

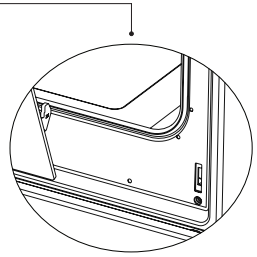


Figure 19.2

Open the door fully by pulling the oven door toward yourself. Then perform unlock operation by pulling the hinge lock upwards with the aid of screwdriver as indicated in **figure 18.1**.

Set the hinge lock to the widest angle as in **figure 18.2**. Adjust both hinges connecting oven door to the oven to the same position.

Later, close the opened oven door so that it will be in a position to contact with hinge lock as in **figure 19.1**.

For easier removal of oven door, when it comes close to closed position, hold the cover with two hands as in **figure 19.2** and pull upwards.

Reversely perform respectively what you did while opening door to reinstall oven door back.

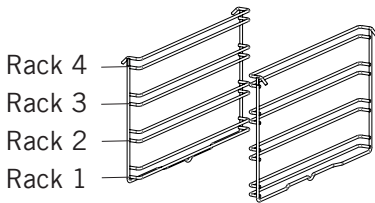
Catalytic Panel *

It is located behind the wire racks of the oven, at the right and left walls of oven cavity. Catalytic panel removes offensive odour and provides using your appliance at its best performance. Over time, oil and food odours permeate into enamelled oven walls and heating elements. Catalytic panel absorbs any food and oil odours, and burns them during cooking to clean your oven.

Detaching catalytic panel

To remove catalytic panel; first remove the wire racks. Once wire racks are removed, catalytic panel will be free. It is advised to replace the catalytic panel once every 2-3 years.

Rack Positions



It is important to place the wire grill into the oven properly. Do not allow wire rack to touch rear wall of the oven. Rack positions are shown in the next figure. You may place a deep tray or a standard tray in the lower and upper wire racks.

Installing and removing wire racks

To remove wire racks, press the clips shown with arrows in the figure, first remove the lower, and than the upper side from installation location. To install wire racks; reverse the procedure for removing wire rack.

Replacing Oven Lamp

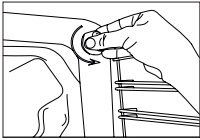
WARNING: To avoid electric shock, ensure that the appliance circuit is open before changing the lamp. (having circuit open means power is off) First disconnect the power of appliance and ensure that appliance is cold.

Remove the glass protection by turning as indicated in the figure on the left side. If you have difficulty in turning, then using plastic gloves will help you in turning.

Then remove the lamp by turning, install the new lamp with same specifications.

Reinstall glass protection, plug the power cable of appliance into electrical socket and complete replacement. Now you can use your oven.

Type G9 Lamp



220-240 V, AC
15-25 W

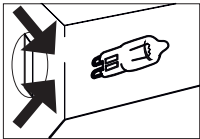
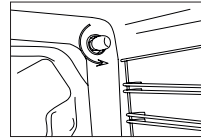


Figure 20

Type E14 Lamp



220-240 V, AC
15 W

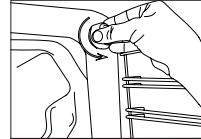


Figure 21

TROUBLESHOOTING

You may solve the problems you may encounter with your product by checking the following points before calling the technical service.

Check Points

In case you experience a problem about the oven, first check the table below and try out the suggestions.

Problem	Possible Cause	What to Do
Oven does not operate.	Power supply not available.	Check for power supply.
	Gas supply not available.	Check if main gas valve is open.
		Check if gas pipe is bent or kinked.
		Make sure gas hose is connected to the oven.
		Check if suitable gas valve is being used.
Oven stops during cooking.	Plug comes out from the wall socket.	Re-install the plug into wall socket.
Turns off during cooking.	Too long continuous operation.	Let the oven cool down after long cooking cycles.
	More than one plugs in a wall socket.	Use only one plug for each wall socket.
Oven door is not opening properly.	Food residues jammed between the door and internal cavity.	Clean the oven well and try to re-open the door.
Electric shock when touching the oven.	No proper grounding.	Make sure power supply is grounded properly.
	Ungrounded wall socket is used.	

Problem	Possible Cause	What to Do
Water dripping.	Water or steam may generate under certain conditions depending on the food being cooked. This is not a fault of the appliance.	Let the oven cool down and than wipe dry with a dishcloth.
Steam coming out from a crack on oven door.		
Water remaining inside the oven.		
Oven does not heat.	Oven door is open.	Close the door and restart.
	Oven controls not correctly adjusted.	Read the section regarding operation of the oven and reset the oven.
	Fuse tripped or circuit breaker turned off.	Replace the fuse or reset the circuit breaker. If this is repeating frequently, call an electrician.
Smoke coming out during operation.	When operating the oven for the first time	Smoke comes out from the heaters. This is not a fault. After 2-3 cycles, there will be no more smoke.
	Food on heater.	Let the oven to cool down and clean food residues from the heater.
When operating the oven burnt or plastic odour coming out.	Plastic or other not heat resistant accessories are being used inside the oven.	At high temperatures, use suitable glassware accessories.
Oven does not cook well.	Oven door is opened frequently during cooking.	Do not open oven door frequently, if the food you are cooking does not require turning. If you open the door frequently internal temperature drops and therefore cooking result will be influenced.
Internal light is dim or does not operate.	Foreign object covering the lamp during cooking.	Clean internal surface of the oven and check again.
	Lamp might be failed.	Replace with a lamp with same specifications.

HANDLING RULES

1. Do not use the door and/or handle to carry or move the appliance.
2. Carry out the movement and transportation in the original packaging.
3. Pay maximum attention to the appliance while loading/unloading and handling.
4. Make sure that the packaging is securely closed during handling and transportation.
5. Protect from external factors (such as humidity, water, etc.) that may damage the packaging.
6. Be careful not to damage the appliance due to bumps, crashes, drops, etc. while handling and transporting and not to break or deform it during operation.

RECOMMENDATIONS FOR ENERGY SAVING

Following details will help you use your product ecologically and economically.

1. Use dark coloured and enamel containers that conduct the heat better in the oven.
2. As you cook your food, if the recipe or the user manual indicates that pre-heating is required, pre-heat the oven.
3. Do not open the oven door frequently while cooking.
4. Try not to cook multiple dishes simultaneously in the oven. You may cook at the same time by placing two cookers on the wire rack.
5. Cook multiple dishes successively. The oven will not lose heat.
6. Turn off the oven a few minutes before the expiration time of cooking. In this case, do not open the oven door.
7. Defrost the frozen food before cooking.

ENVIRONMENTALLY-FRIENDLY DISPOSAL



Dispose of packaging in an environmentally-friendly manner.

This appliance is labelled in accordance with European Directive 2012/19/EU concerning used electrical and electronic appliances (waste electrical and electronic equipment - WEEE). The guideline determines the framework for the return and recycling of used appliances as applicable throughout to the EU.

PACKAGE INFORMATION

Packaging materials of the product are manufactured from recyclable materials in accordance with our National Environment Regulations. Do not dispose of the packaging materials together with the domestic or other wastes. Take them to the packaging material collection points designated by the local authorities.

According to RoHS:
OCEAN Overseas s.r.l.
Via Crispi, 17
21100 Varese - ITALY
www.ocean.it

التخلص من الجهاز بطريقة صديقة للبيئة

التخلص من العبوة بطريقة صديقة للبيئة.
يسمى هذا الجهاز وفقا للتوجيه الأوروبي 2012/19 / الاتحاد الأوروبي بشأن نزاع استخدام الأجهزة الكهربائية والإلكترونية (نفايات المعدات الكهربائية والإلكترونية - WEEE). يحدد الإطار التوجيهي للعودة وإعادة تدوير الأجهزة المستخدمة حسب مقتضى الحال طوال إلى الاتحاد الأوروبي.



بيانات التعبئة

تم تصنيع مواد التعبئة الخاصة بهذا المنتج من مواد قابلة لإعادة التصنيع وفقًا للوائح البيئية المحلية الخاصة بنا. لا تتخلص من مواد التعبئة مع النفايات المنزلية أو النفايات الأخرى. عليك أن تأخذها إلى مراكز تجميع مواد التعبئة المخصصة بواسطة الجهات المحلية.

According to RoHS:
OCEAN Overseas s.r.l.
Via Crispi, 17
21100 Varese - ITALY
www.ocean.it

قواعد النقل

١. لا تستخدم الباب و/ أو المقبض لتحريك الجهاز أو نقله.
٢. يجب نقل الجهاز في غلافة الأصلي.
٣. انتبه تمامًا للجهاز أثناء تحميله/ تنزيله ونقله.
٤. تأكد من إغلاق الغلاف بإحكام أثناء الحمل والنقل.
٥. يجب حماية الجهاز من العوامل الخارجية (مثل الرطوبة والمياه وغيرها) التي قد تتلف الغلاف.
٦. كن حذرًا لعدم إتلاف الجهاز بسبب الصدمات أو التخبطات أو السقوط أو ما إلى ذلك, أثناء الحمل والنقل وعدم كسره أو تشويهه أثناء التشغيل.

توصيات لتوفير الطاقة

- ستساعدك التفاصيل التالية على استخدام المنتج بصورة اقتصادية وصديقة للبيئة.
١. استخدم أدوات الطبخ ذات اللون الداكن أو المطلية بطبقة من المينا والتي توصل الحرارة بشكل أفضل في الفرن.
 ٢. أثناء طهي الطعام, إذا كانت الوصفة أو دليل المستخدم يشير ضرورة التسخين المسبق للفرن, فقم بتسخين الفرن مسبقًا.
 ٣. لا تفتح الأبواب كثيرًا أثناء الطهي.
 ٤. تجنب طهي العديد من الأطباق في نفس الوقت في الفرن. يمكنك الطهي في نفس الوقت بوضع طبقتين على الرف السلكي.
 ٥. اطهي العديد من الأطباق بشكل متوالي. الفرن لن يخسر حرارته.
 ٦. أطفئ الفرن قبل دقائق قليلة من انتهاء وقت الطهي. وفي تلك الحالة, لا تفتح باب الفرن.
- قم بإذابة الطعام المجمد قبل الطهي.
٧. قم بإذابة الطعام المجمد قبل الطهي.

المشكلة	السبب المحتمل	الإجراء
يوجد تقطير للماء.		
البخار يخرج من شق في باب الفرن.	قد يتولد الماء أو البخار في ظروف معينة وفقاً للطعام المطبوخ. هذا ليس خطأ من الجهاز.	دع الفرن يبرد ومن ثم امسحه بقطعة قماش.
الماء متبقي داخل الفرن.		
	باب الفرن مفتوح.	أغلق الباب، ومن ثم ابدء من جديد.
الفرن لا يسخن.	عناصر تحكم في الفرن غير معدلة بشكل صحيح.	اقرأ القسم الخاص بتشغيل الفرن، ومن ثم أعد ضبط الفرن.
	تعثر قاطع التيار أو اغلق قاطع الدائرة.	استبدل الصمام أو أعد ضبط القاطع. إذا تم تكرار هذا بشكل مرة أخرى، فاتصل بالكهربائي.
هناك دخان يخرج أثناء التشغيل	عند تشغيل الفرن لأول مرة،	يخرج دخان من وحدات التسخين. هذا ليس عطلاً. وبعد الاستخدام ٢-٣ مرات، سيتوقف هذه الدخان.
	يوجد طعام على وحدة التسخين.	دع الفرن يبرد، ومن ثم نظف بقايا الطعام من وحدات التسخين.
تخرج روائح حرق وبلاستيك عند تشغيل الفرن.	هناك استخدام لملحقات بلاستيكية أو غيرها من الملحقات غير المقاومة للحرارة داخل الفرن.	في درجات الحرارة المرتفعة، استخدم ملحقات زجاجية مناسبة.
الفرن لا يطهي جيداً.	يتم فتح باب الفرن بشكل متكرر أثناء الطهي.	لا تفتح باب الفرن بشكل متكرر، إلا إذا كان الطعام يتطلب التحريك. إذا قمت بفتح الباب كثيراً، تنخفض درجة الحرارة الداخلية، وبالتالي سوف يؤثر ذلك على عملية الطهي.
	هناك جسم غريب يغطي المصباح أثناء الطهي.	نظف السطح الباطني للفرن، وتحقق من ذلك مرة أخرى.
الضوء الداخلي خافت أو لا يعمل.	قد يكون المصباح تالف.	نظف السطح الباطني للفرن، وتحقق من ذلك مرة أخرى.

استكشاف الأخطاء وإصلاحها

يمكنك حل المشكلات التي قد تواجهها مع المنتج من خلال التحقق من النقاط التالية قبل الاتصال بالخدمة التقنية.

نقاط الفحص

في حال واجهت مشكلة في الفرن ، تحقق أولاً من الجدول أدناه وحاول العمل بهذه الاقتراحات.

المشكلة	السبب المحتمل	الإجراء
الفرن لا يعمل.	لا يوجد إمدادات للطاقة.	تفقد مصدر الطاقة.
	لا يوجد إمدادات للغاز.	تفقد صمام الغاز.
		تحقق مما إذا كان أنبوب الغاز مثني أو متعرجًا.
		تأكد من توصيل خرطوم الغاز بالفرن.
		تحقق من استخدام صمام الغاز المناسب.
الفرن لا يعمل.	القابس يخرج من مقبس الحائط.	أدخل قابس الطاقة في مقبس الكهرباء.
ينظف أثناء الطهي.	عملية الطهي طويلة جدًا.	دع الفرن يبرد بعد دورات الطهي الطويلة.
	هناك أكثر من قابس في مقبس الحائط.	استخدم قابسًا واحدًا فقط لكل مقبس حائط.
باب الفرن لا يفتح بشكل صحيح.	يوجد مخلفات طعام بين الباب والتجويف الداخلي.	نظف الفرن جيدًا وحاول فتح الباب مجددًا.
يحدث صدمة كهربائية عند لمس الفرن.	لم يتم عمل تأريض صحيح.	تأكد من تأريض مصادر الطاقة بشكل صحيح.
	يتم استخدام مأخذ تيار لم يتم تأريضه.	

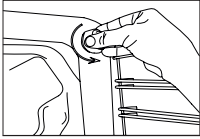
تغيير لمبة الفرن

تحذير: منعاً لوقوع احتمالية التعرض لصدمة كهربية فتأكد من أن دائرة الجهاز مفتوحة قبل استبدال المصباح (عندما تكون الدائرة مفتوحة فهذا يعني أن الطاقة مفصولة) قم أولاً بفصل مصدر الطاقة عن الجهاز و تحقق من أن الجهاز بارد.

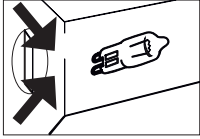
اخلع الواقية الزجاجية من خلال إدارتها بالشكل الموضح على الجهة اليسرى. إذا واجهت أية صعوبات في إدارته فيمكنك الاستعانة بالقفازات البلاستيكية.

بعد ذلك اخلع اللمبة من خلال لفها و تثبيت اللمبة الجديدة بذات المواصفات. يجب أن تكون مواصفات اللمبة كالتالي، قم بإعادة تركيب الزجاج الواقي، و أعد وصل كابل الجهاز بالطاقة بالمقبس و واصل عملية التركيب. الآن يمكنك استخدام فرنك.

لمبة G9 اكتب

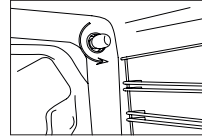


٢٢٠-٢٤٠ فولت, تيار
متردد ١٥-٢٥ هرتز

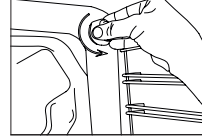


صورة ٢١

لمبة E14 اكتب



٢٢٠-٢٤٠ فولت,
تيار متردد ١٥ هرتز



صورة ٢٠

لجدران الحفازة

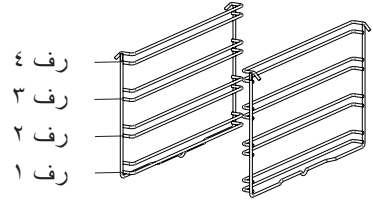
تقع الجدران الحفازة على اليسار وعلى الجانب الأيمن من تجويف تحت الدعامات. تمنع الجدران الحفازة الرائحة الكريهة وتساعد على الحصول على أفضل أداء في الطبخ. كما تمتص الجدران الحفازة بقايا النفط وتنظف الفرن في حين و هو في وضع التشغيل.

إزالة الجدران الحفازة

لإزالة الجدران الحفازة، يجب سحب الدعامات. في حال سحب الدعامات، سيتم إزالة الجدران الحفازة تلقائياً. يجب إستبدال الجدران الحفازة كل ٢-٣ سنة.

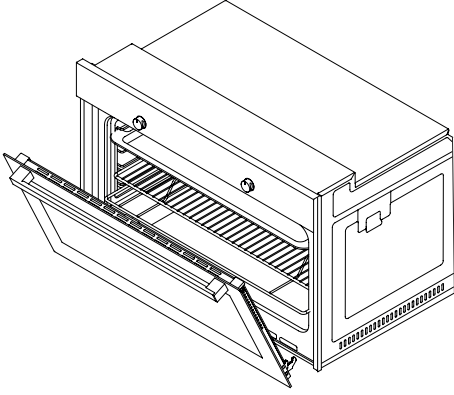
موضع الرف

يجب وضع شواء السلكية في الفرن بشكل صحيح. لا تسمح للحامل السلكي بلمس الجدار الخلفي للفرن. موضع الرف موضح في الشكل التالي. يمكنك وضع صينية عميقة أو صينية قياسية في الرفوف السلكية العلوية والسفلية.

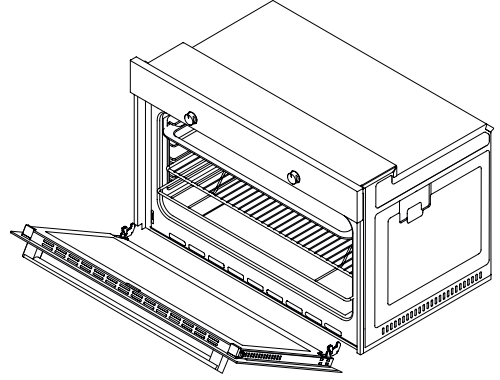


تثبيت وإزالة الرفوف السلكية

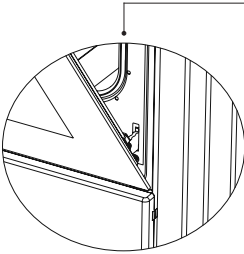
لإزالة الرفوف السلكية، اضغط على المشابك الموضحة أدناه بالأسهم في الشكل، وأزل الجزء السفلي أولاً، ثم من الجانب العلوي من موضع التثبيت. لتثبيت الرفوف الأسلاك. اعكس خطوات إزالة الرفوف السلكية.



صورة ١٩

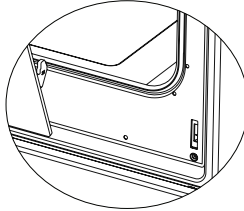


صورة ١٨



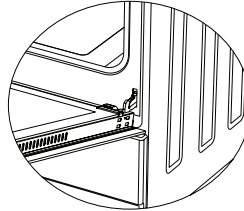
صورة ١٩,٢

لإخراج باب الفرن، قوموا بسحب باب الفرن الى الاعلى وكما هو موضح بالشكل صورة ١٩,٢ بمسكه باليدين عندما يصل الى مستوى مقارب للوضع المغلق.



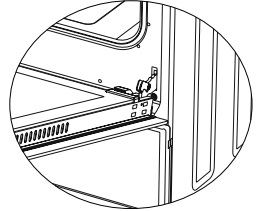
صورة ١٩,١

بعد ذلك قوموا بغلاق باب الفرن الذي قمتم بفتحه وكما هو موضح بالشكل صورة ١٩,١ ولحين وصوله الى موقع ارتكائه بقل المفصل.



صورة ١٨,٢

قوموا بفتح قفل المفصل وكما هو موضح بالشكل صورة ١٨,٢ وجعله بأوسع زاوية. قوموا بجعل المفصلين الرابطين لباب الفرن بالفرن بنفس الموقع.



صورة ١٨,١

قوموا بفتح باب الفرن تماماً وذلك بسحب باب الفرن بإتجاهكم. بعد ذلك وكما هو موضح بالشكل صورة ١٨,١ قوموا بعملية فتح القفل وذلك بسحب قفل المفصل الى الاعلى بمساعدة مفك البراغي

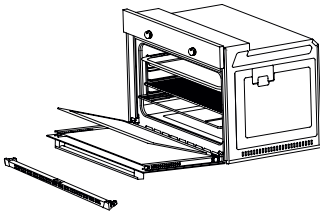
لإعادة تركيب باب الفرن مرة اخرى قوموا بالتطبيق العكسي للإجراءات التي قمتم بها لفتح باب الفرن وحسب تسلسلها.

الصيانة والتنظيف

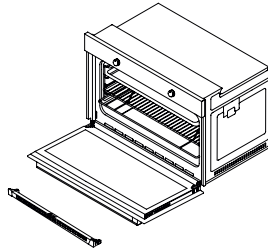
١. انزع قابس الطاقة من مأخذ التيار الكهربائي.
٢. لا تقم بتنظيف الأجزاء الداخلية، اللوحة، الصواني و الأجزاء الأخرى للجهاز بأدوات حادة مثل فرشاة، سلك صوفي أو سكين. لا تستخدم مواد أو منظفات خادشة أو كاشطة.
٣. بعد تنظيف الأجزاء الداخلية من الفرن بقطعة قماش وصابون فاشطفها جيدًا وجففها بقطعة قماش ناعمة.
٤. نظف الأسطح الزجاجية بمنظفات خاصة للزجاج.
٥. لا تقم بتنظيف الفرن بمنظفات بخارية.
٦. لا تقم أبدًا باستخدام المواد القابلة للاشتعال، مثل الأحماض أو مواد التخفيف أو الجازولين عند تنظيف الفرن.
٧. لا تغسل أي جزء من الفرن في غسالة الأطباق.
٨. استخدم ستيرات البوتاسيوم (صابون لّين) للأوساخ والبقع.

تنظيف زجاج الفرن

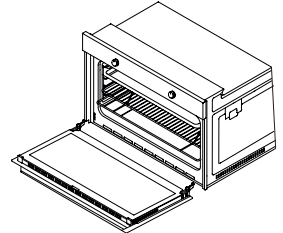
قم بإزالة التشكيل الجانبي عن طريق الضغط على المزاج البلاستيكي على كلا الجانبين اليمين واليسار كما هو مبين في الشكل ١٥ و قم بعدها بسحب التشكيل الجانبي نحوك كما هو مبين في الشكل ١٦. يتم تحرير الزجاج بعد فك الإطار كما هو موضح في الشكل ١٧. قم بإزالة الزجاج التي قمت بإزالتها عن طريق سحبه نحوك. الزجاج الخارجي مثبت بإطار باب الفرن. يمكنك تنظيف الزجاج بسهولة بعد تحرير الزجاج. يمكنك تركيب الزجاج مجددا عن طريق إجراء العملية بشكل عكسي بعد الانتهاء من التنظيف و الصيانة. تحقق من تركيب الإطار في مكانه.



صورة ١٧



صورة ١٦



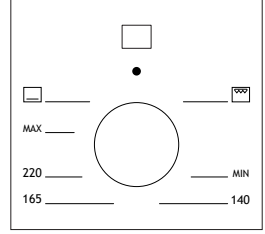
صورة ١٥

الطهي (الوقت (دقيقة)	رف الطهي	الطهي درجة الحرارة (م°)	الطهي الوظيفة	الطعام
٧٠	٢	١٨٠	فرن	كيك
٤٠	٢	١٨٠	فرن	كعكة صغيرة
٧٠	٢	٢٠٠	فرن	قطيرة
٢٥-٢٠	٢	٢٠٠-١٨٠	فرن	معجنات
٢٠	٢	١٧٥	فرن	كيك محلي
١٥٠	١	١٩٠-١٨٠	فرن	قطيرة تفاح
٥٠-٤٥	٢	١٧٥	فرن	الكعكة الإسفنجية
٢٥	٢	١٩٠	فرن	بيتزا
٦٠-٥٠	٢	٢٠٠-١٨٠	فرن	اللازانيا
٦٠	٢	١٠٠	فرن	مرنغ
٣٥-٢٥	٤	٢٢٠	الشواية	دجاج مشوي *
٤٠-٣٥	٤	٢٢٠	الشواية	سمك مشوي *
٣٠	٤	الحد الأقصى	الشواية	شرائح لحم العجل *
٤٠	٤	الحد الأقصى	الشواية	كرات اللحم المشوية *

* يجب قلب الطعام بعد انقضاء نصف مدة الطهي.

وظائف البرامج

زر البرامج: يساعد على ضبط أي شعلات طهي الطعام الموجود في الفرن. يتم وصف أنواع برامج التسخين لهذا الزر ووظائفها أدناه. قد لا تحتوي كل الأنواع على نفس أنماط الشعلات وبالتالي تختلف أنواع برامج هذه الشعلات.



يمكنك أن تجد في الفقرة التالية جميع المعلومات المتعلقة بوظائف برامج السخانات في جهازك و شروطات مهمة التي ستساعدك على طهي مختلف المأكولات حسب رغبتك.

حارق كبير		حارق الشوي	
دجاج محمر		لمبة	
التربو، السخان و المروحة *		مؤقت	

حارق كبير: يمكنك إعادة تسخين أو تحمير الوجبات باستخدام وظيفة التسخين القاعدية والتي تكون مناسبة أكثر لتسخين الطعام المحفوظ لفترة طويلة.

حارق الشوي: تستخدم هذه الوظيفة للشوي. ضع الطعام على شبك سلكي وضع الشبك السلكي في الرف العلوي بالفرن. بعد ذلك ضع صينية عميقة أسفل الشبك السلكي.

توصيات الطهي

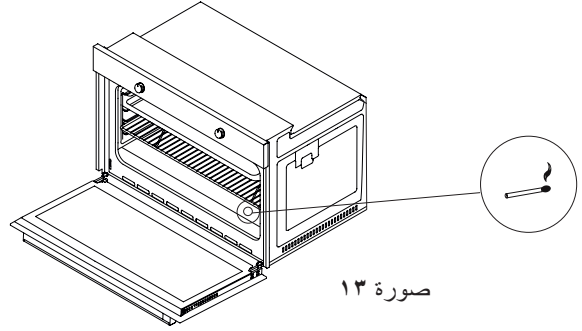
ستجد في الجدول التالي جميع المعلومات التي تتعلق بمختلف أنواع المأكولات التي قمنا بتجريبها في الجهاز و التي قمنا بتحديد قيمة الطبخ لها. قد تختلف مدة طهي الطعام حسب جهد الشبكة، جودة و كمية المكونات التي سيتم طبخها، و درجة الحرارة. الأطباق التي سيتم إعدادها حسب هذه القيم قد لا تتلائم مع ذوقك. يمكن إعداد عدة قيم مختلفة للحصول على أذواق مختلفة و نتائج ترقى إلى الذوق المرغوب عن طريق الاختبار

تحذير: يجب تسخين الفرن مسبقا خلال ٧-١٠ دقائق قبل وضع الطعام بداخله.

إضاءة الفرن يدويًا

إذا ما حدث عطل في الطاقة فيمكن أن يضاء حارق الفرن يدويًا:

١. افتح باب الفرن
٢. قرب عود ثقاب أو ولاعة من فتحة الحارق كما هو موضح في الشكل.
٣. بمجرد أن يضيء الحارق أغلق باب الفرن.

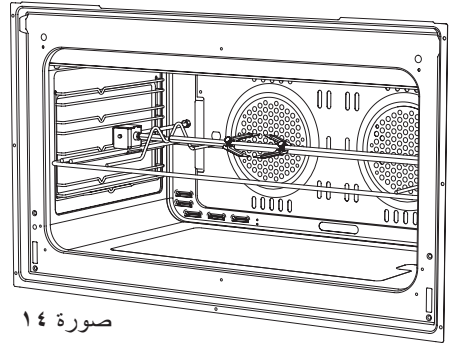


صورة ١٣

ملاحظة: عند انطفاء حارق الفرن بشكل مفاجئ فأدر مفتاح التحكم في الفرن إلى وضع الإيقاف وافتح باب الفرن وقم بتهوية المطبخ وانتظر دقيقة واحدة على الأقل قبل أن تحاول إضاءة الحارق مرة أخرى. **تنبيه:** تتاح بالفرن إمكانية التشغيل الأوتوماتيكي. استخدم هذه الخاصية عند تعطل الطاقة.

* استخدام مقلاة الدجاج

ضع السيخ على الإطار. ضع صينية تجميع القطر عبر الجزء السفلي للفرن لتجميع الدهون. قم بإضافة بعض الماء في صينية تجميع القطر لسهولة التنظيف. لا ننسى إزالة الجزء البلاستيكي من الصينية بعد الشيء، اربط المقبض البلاستيكي بالسيخ وأخرج الشواء من الفرن



صورة ١٤

استخدام الشواية

١. عند وضع الشواية على الرف العلوي، فيجب ألا يتلامس الطعام مع الشواية.
٢. يمكنك عمل تسخين أولي لمدة ٥ دقائق أثناء الشوي. وإذا لزم الأمر، يمكنك تقليب الطعام.
٣. يجب أن يكون الطعام في وسط الشواية لتوفير أقصى تدفق للهواء عبر الفرن.

لتشغيل الشواية:

١. ضع زر الوظيفة فوق رمز الشواية.
٢. ثم ضعه على درجة حرارة الشواية المطلوبة.

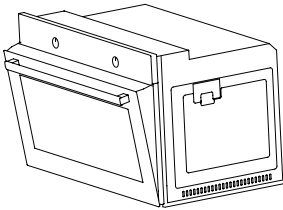
لإغلاق الشواية:

- اضبط زر الوظيفة على وضع الإيقاف.
- تحذير:** أبق على باب الفرن مغلق أثناء الشوي. (الشواية الكهربائية)
- تحذير:** أبق على باب الفرن مفتوحاً أثناء الشوي. (شواية غاز)
- إذا كان الفرن يحتوي على خاصية الشواية بالغطاء المغلق * :

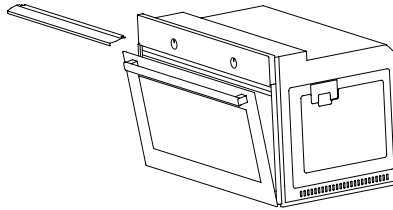
١. أشعل الشواية بينما يكون غطاء الفرن مفتوح.
٢. قم بتسخين الفرن مبدئياً بينما يكون غطاء الفرن مفتوح لمدة ٥ - ١٠ دقيقة.
٣. بعد ذلك ضع الأطعمة المراد شويها وأغلق باب الفرن.

استخدام صفيحة الشواء العاكسة *

١. ضع واقي الحرارة تحت لوحة التحكم عبر فتح باب الفرن الأمامي. (صورة ١١)
٢. ركب فرزتي التركيب الموجودتين على واقي الحرارة في الفتحتين تحت لوحة التحكم، ثم ثبتهما في مكانهما بين الفرن والباب الداخلي بإغلاق الباب برفق. (صورة ١٢)
٣. من المهم إبقاء الباب مفتوحاً بالمسافة المحددة عند الشواء.
٤. يوفر واقي الحرارة أداء مثالي للطهي بينما يحمي لوحة التحكم والأقراص.



صورة ١٢



صورة ١١



صورة ١٠

استخدام الفرن

استخدام الفرن لأول مرة

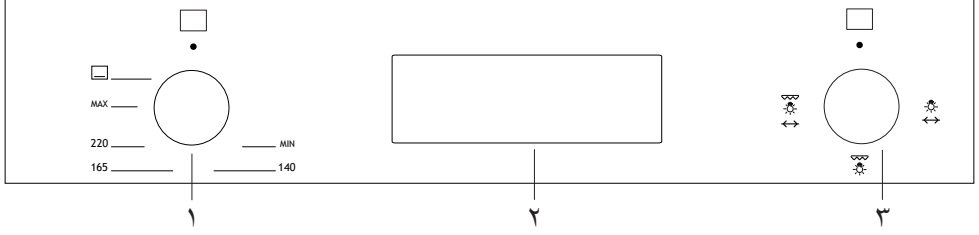
إليك بعض الأمور التي يجب عليك القيام بها قبل الاستخدام الأول للفرن بعد وصله بمصدر الطاقة حسب الإرشادات الواردة سابقاً:

١. أخرج معلومات الصورة وقطع الغيار من داخل الفرن. قم بإزالة ورق الفويل الواقي من على الواجهة الجانبية للجهاز.
٢. قم بتنظيف الغيار و بقايا مواد التغليف بمسح الأجزاء الداخلية للفرن بقطعة قماش مبللة. يجب أن يكون تجويف الفرن الداخلي فارغاً. قم بتوصيل كابل الجهاز بالمقبس الكهربائي .
٣. قم بإعداد زر الترموستات على أعلى درجة (٢٥٠ كحد أقصى) وقد بتشغيل الفرن خلال ٣٠ دقيقة و الأبواب مغلقة. تزامناً مع ذلك، قد يتسرب دخان خفيف و رائحة و هذا أمر عادي.
٤. امسح الجزء الداخلي للفرن بالقليل من الماء الدافئ و منظف، و قم بتمرير قطعة قماش بعد أن يصبح باردا و جافاً. الآن يمكنك استخدام فرنك.

الاستخدام الطبيعي للفرن

١. يمكن استخدام سطح فرن الغاز هذا (الشواية) والحارقة السفلية كل على حدة كل مرة. عندما تود استخدام الحارقة المختارة، اضغط أولاً على قرص المفتاح وانتظر ٥ ثواني حتى يندفع الهواء من الأنابيب. ثم يمكنك إشعال الحارقة عبر نظام الإشعال التلقائي (اختياري) أو عود ثقاب.
٢. حالما تشتعل الحارقة، يجب أن تستمر بالضغط على القرص بين ١٠ و ١٥ ثانية حتى يعمل نظام مراقبة اللهب.
٣. عندما تشتعل الحارقة وتستقر بعد دقيقة أو تدقيقتين، يمكنك إغلاق باب الفرن.
٤. يمكنك إعداد مدة طهي الطعام حسب الرغبة عن طريق استعمال الزر في الموديلات ذات المؤقت الميكانيكي. سوف يوقف المؤقت عناصر التسخين عند انقضاء مدة الطهي و سيصدر الجهاز إنذار الجهوزية.
٥. يقوم المؤقت بوقف عمل عناصر التسخين و إصدار إنذار الجهوزية عند انقضاء مدة الطهي وفقاً للمعلومات التي تم إدخالها في نماذج مع جهاز توقيت رقمي.
٦. سوف يستمر نظام التبريد في العمل إلى أن تنتهي فترة الطهي. لا تفصل الطاقة عن الجهاز في هذه الحالة التي تستوجب ذلك لتبريد الجهاز. سوف يتوقف النظام عن العمل بعد إتمام التبريد تماماً.

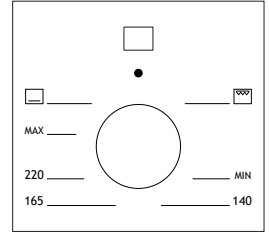
صورة لوحة التحكم لفرن مدمج مزدوج



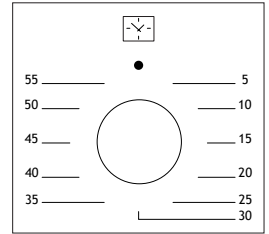
١. زر الوظائف
٢. المؤقت الميكانيكي أو الرقمي
٣. الثيرموستات

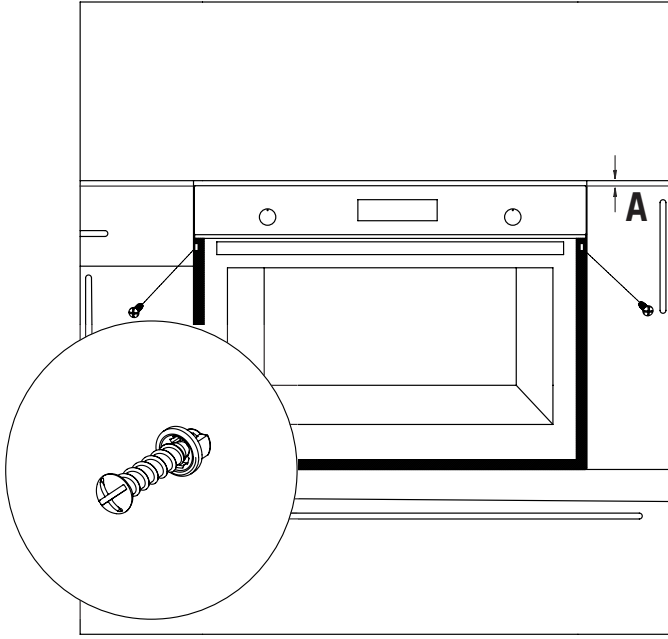
تحذير: تم إعداد لوحة التحكم المذكورة أعلاه، لأغراض التوضيح فقط. وضع في اعتبارك لوحة التحكم الخاصة بجهازك.

زر التحكم في الفرن: يوفر التحكم في مواقد فرن الغاز (من أجل موقد الفرن الترموستاتي والموقد العلوي). كما يمكنك استخدام المشعل تحت وظيفة مقبض الباب لإشعال لهب الغاز.



زر الموقت الميكانيكي*: يساعد على ضبط وقت طهي الطعام في الفرن. انظر جدول الطهي لمعرفة أوقات الطهي.

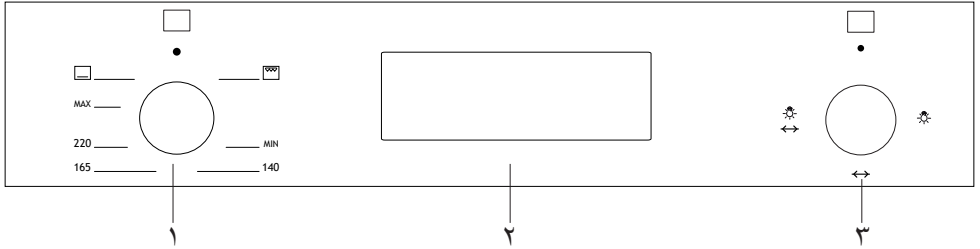




صورة ٩

لوحة التحكم

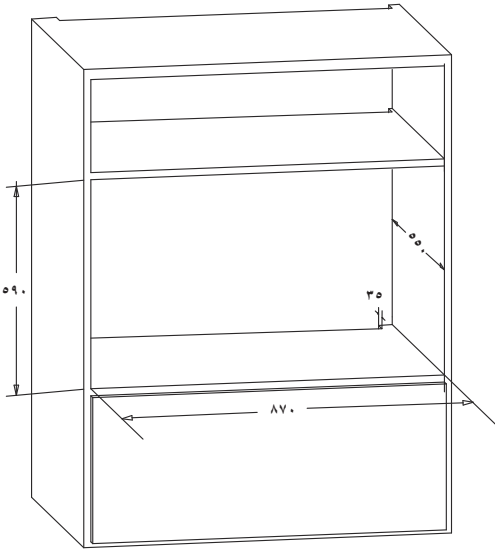
صورة لوحة التحكم لفرن مدمج يعمل بالغاز



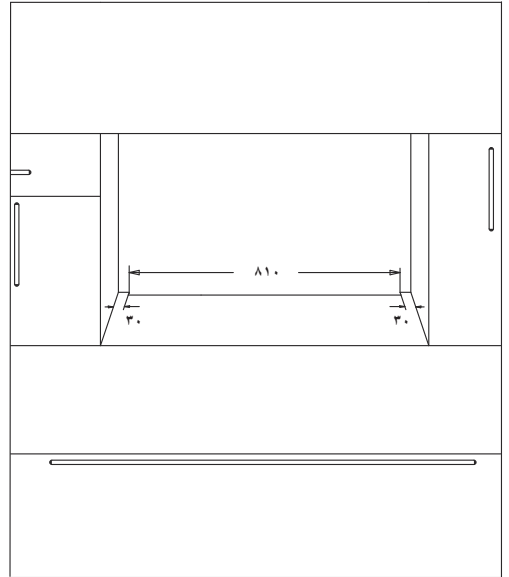
١. زر الوظائف

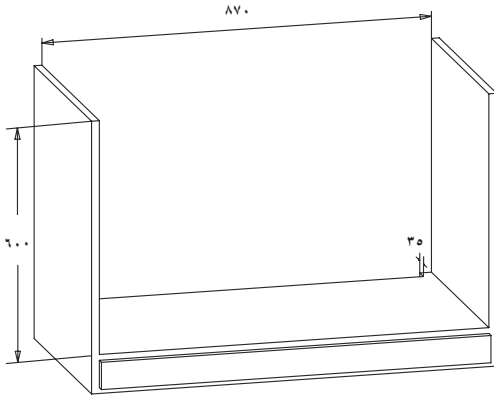
٢. المؤقت الميكانيكي أو الرقمي

٣. الثيرموستات

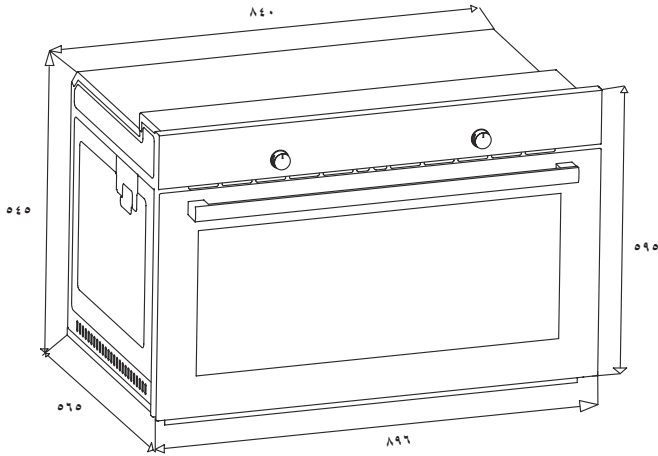
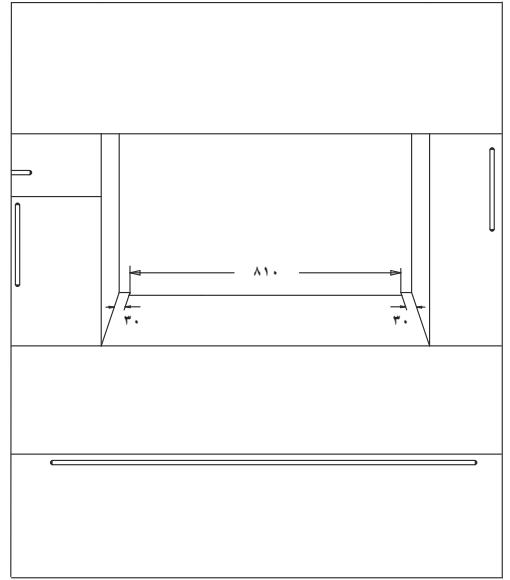


صورة ٨





صورة ٦



صورة ٧

التوصيل الكهربائي

موضع تركيب المنتج يجب أن تتوفر فيه التوصيلات الكهربائية المناسبة. فلطية الشبكة يجب أن تتوافق مع القيم الموضحة على لوحة صنع المنتج. يجب أن يتم عمل توصيلات المنتج بما يتوافق مع متطلبات التوصيلات الكهربائية المحلية والوطنية. قبل البدء في التركيب افصل مصدر الطاقة. لا تقم بتوصيل المنتج بالشبكة إلى أن يتم الانتهاء من تركيبه.

التركيب



تركيب موقد مدمج بعرض ٩٠ سم

يجب تحديد مكان وضع الجهاز قبل الشروع في التركيب.
لا يجب تركيب الجهاز في أماكن تتعرض لتأثير تيارات هواء قوية.
يجب حمل الجهاز بين شخصين على الأقل. لا تقم بجر الجهاز حتى لا تلحق ضرر بالأرضية.
قم بإزالة جميع مواد تغليف الجهاز الموجودة في داخل العلبة و حول الجهاز. قم بإزالة جميع المواد و الوثائق الموجودة داخل الجهاز.

التركيب تحت الرف

يجب أن تتطابق الأبعاد المشار إليها في الشكل ٦.
يجب ترك مساحة كافية خلف المقصورة كما هو مشار إليه في الشكل، حتى تسمح بعملية التهوية بشكل جيد.

بعد التركيب، يجب أن تترك مسافة كافية بين الشق السفلي و العلوي للرف كما هو مشار إليه في الشكل ٩ بالحرف " أ ". هذه المسافة مخصصة للتهوية، لذلك لا يجب تغطيتها.

التركيب في مقصورة مرتفعة

يجب أن تتطابق الأبعاد المشار إليها في الشكل ٨.
يجب ترك مساحة كافية كما هو مشار إليه في الشكل، حتى تسمح بعملية التهوية بشكل جيد بالجزء الخلفي، و العلوي.

مُتطلبات التركيب

أبعاد المنتج متوفرة في الشكل ٧.
لأسطح الأثاث للتركيب و تركيب المواد التي سينم استعمالها درجة حرارة تصل ٠٠١ درجة على الأقل.

يجب تأمين مقصورة التركيب، و يجب أن تكون الأرضية مستوية للجهاز و ليست مائلة.
يجب أن تكون أرضية المقصورة تتحمل حمولة تزيد عن ٦٠ كغ.

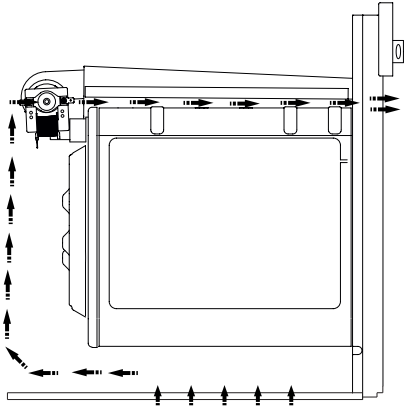
وضع و تأمين الفرن

ركب الفرن داخل المقصورة بالاستعانة بشخصين أو أكثر.
تحقق من أن إطار الفرن و حافة الواجهة للأثاث موضوعة بشكل موحد.
لا يجب أن يكون كابل التغذية بالطاقة موجودًا أسفل الفرن، أو أن يكون محصورًا بين الفرن و قطع الأثاث أو ملتويًا.

ثبت الفرن بقطع الأثاث من خلال استخدام البراغي الموردة مع المنتج. يجب أن يتم تركيب البراغي كما هو موضح في الشكل ٩ من خلال تمريرها عبر الأجزاء البلاستيكية الموصلة بشاسيه المنتج. لا يجب أن يتم الإفراط في ربط البراغي. وإلا فيمكن أن تتعرض مقابض البراغي للتآكل.
تحقق من أن الفرن لا يتحرك بعد التركيب. إذا لم يتم تركيب الفرن بما يتوافق مع التعليمات ذات الصلة فسوف يكون هناك خطر من أن يميل أثناء التشغيل.

تحذيرات هامة خاصة بالتركيب:

تعمل مروحة التبريد على دفع البخار نحو الخارج، حيث تمنع بذلك التسخين المفرط للأسطح الخارجي خلال تشغيل الفرن. و هذا شرط أساسي لتحسين أداء الجهاز و الحصول على نتائج أفضل في الطهي. تستمر مروحة التبريد في العمل بعد الانتهاء من الطهي. تتوقف المروحة تلقائيا بعد الانتهاء من التبريد. يجب ترك مساحة كافية خلف فتحات التهوية حول المكان التي تضعه عليه الجهاز لضمان عمله بشكل جيد. و لا يجب اهمال هذه النقطة، لأن هذه المساحة ضرورية أيضا لنظام تهوية الجهاز.



صورة

الجانب الأيمن من موقع التركيب

تم تصميم هذا الجهاز ليتم تركيبه على أسطح العمل التي تم شرائها من المتاجر. يجب ترك مسافة كافية بين الجهاز و حائط المطبخ أو قطعة الأثاث. راجع الرسومات المرفقة مع هذا الدليل على الصفحة التالية لحساب المسافة الدقيقة. (القيم بالملليمترات)

- الأسطح المستخدمة، الشرائح الاصطناعية والمواد اللاصقة يجب أن تكون مقاومة للحرارة. (٠.٠١ درجة على الأقل).
 - يجب أن تكون خزانات المطبخ على نفس مستوى الجهاز و محكمة.
 - إذا كان هناك درج تحت الفرن، فيجب وضع حامل بين الفرن و الدرج.
- تحذير:** احرص على ألا يتم تركيب الجهاز على حامل تركيب معيب. تزيد الحرارة المنبعثة من الجهاز من استهلاك أجهزة التبريد للطاقة.
- تحذير:** لا تستعمل باب و/أو مقبض لحمل أو نقل الجهاز.

المواصفات	٩٠ سم فرن مدمج
طاقة المصباح	٢٥ - ١٥ وات
الترموستات	٢٥٠ - ١٠٠ / كحد أقصى °م
سخان الشوي	** ٣٢٥٠ / ٢٥٠٠ وات
الجهد الكهربائي للتغذية	٢٢٠-٢٤٠ فولت / ٥٠ / ٦٠ هيرتز

MFA2..., MFA1...

G30- 50 مللي بار		G30- 37 مللي بار		G30- 28-30 مللي بار G31- 37 مللي بار		G20- 25 مللي بار		G20- 20 مللي بار G25- 25 مللي بار		الحارق المواصفات
غاز مسال		غاز مسال		غاز مسال		غاز طبيعي		غاز طبيعي		
م	٠,٧٠	م	٠,٨٥	م	٠,٨٥	م	١,٢٠	م	١,٢٠	محرق الغاز
جم/ساعة	١٩٦	جم/ساعة	١٩٦	جم/ساعة	١٩٦	جم/ساعة	٠,٢٥٧	جم/ساعة	٠,٢٥٧	تدفق الغاز
كيلوواط	٢,٧٠	كيلوواط	٢,٧٠	كيلوواط	٢,٧٠	كيلوواط	٢,٧٠	كيلوواط	٢,٧٠	الطاقة
م	٠,٧٥	م	٠,٩٢	م	٠,٩٢	م	١,٣٠	م	١,٣٥	محرق الغاز
جم/ساعة	٢٥٤,٥	جم/ساعة	٢٥٤,٥	جم/ساعة	٢٥٤,٥	جم/ساعة	٠,٢٣٣	جم/ساعة	٠,٢٣٣	تدفق الغاز
كيلوواط	٣,٥٠	كيلوواط	٣,٥٠	كيلوواط	٣,٥٠	كيلوواط	٣,٥٠	كيلوواط	٣,٥٠	الطاقة

MFA3...

G30- 50 مللي بار		G30- 37 مللي بار		G30- 28-30 مللي بار G31- 37 مللي بار		G20- 25 مللي بار		G20- 20 مللي بار G25- 25 مللي بار		الحارق المواصفات
غاز مسال		غاز مسال		غاز مسال		غاز طبيعي		غاز طبيعي		
م	٠,٦٨	م	٠,٧٥	م	٠,٨٠	م	١,١٥	م	١,٢٠	محرق الغاز
جم/ساعة	١٩٦	جم/ساعة	١٩٦	جم/ساعة	١٩٦	جم/ساعة	٠,٢٥٧	جم/ساعة	٠,٢٥٧	تدفق الغاز
كيلوواط	٢,٧٠	كيلوواط	٢,٧٠	كيلوواط	٢,٧٠	كيلوواط	٢,٧٠	كيلوواط	٢,٧٠	الطاقة
م	٠,٧٨	م	٠,٨٥	م	٠,٩٠	م	١,٢٠	م	١,٢٥	محرق الغاز
جم/ساعة	٢٥٤,٥	جم/ساعة	٢٥٤,٥	جم/ساعة	٢٥٤,٥	جم/ساعة	٠,٢٣٣	جم/ساعة	٠,٢٣٣	تدفق الغاز
كيلوواط	٣,٥٠	كيلوواط	٣,٥٠	كيلوواط	٣,٥٠	كيلوواط	٣,٥٠	كيلوواط	٣,٥٠	الطاقة

تحذير: يتم تحديد قيم القطر المكتوبة على الحاقن بدون فاصلة. فمثلا ؛ يتم تحديد قطر ١,٧٠ ملم على نحو ١٧٠ على الحاقن

يجوز أن يتم تغير المواصفات الفنية بدون إشعار مسبق بغرض تحسين جودة المنتج.
القيم المتوفرة مع هذا الجهاز أو المستندات المصاحبة له هي قراءات المختبرات وفقا لمعايير معينة. هذه القيم يمكن أن تتباين من موديل جهاز لآخر.
الرسوم التوضيحية الواردة في هذا الدليل مجرد رسوم تخطيطية وقد لا تتطابق تماما مع المنتج الخاص بك.

تركيب الجهاز

تحقق من أن التركيبات الكهربائية مناسبة لتشغيل الجهاز. إذا لم يكن الأمر كذلك فاتصل بفني كهربائي وسباك لإجراء الترتيبات اللازمة. لا تتحمل الشركة المصنعة أية مسؤولية عن الأضرار التي قد تنجم عن التشغيل الغير المسؤول للتشغيل، حيث لا يصبح الضمان سارياً على الجهاز.

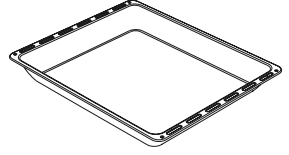
تحذير: يتحمل الزبون مسؤولية إعداد المكان المناسب و التجهيزات الكهربائية لتشغيل الجهاز.

تحذير: يجب الالتزام بال قواعد المحلية التي تتعلق بالكهرباء أثناء تركيب المنتج.

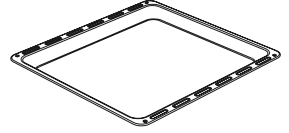
تحذير: تفقد إن كانت هناك أي ضرر على غلاف الجهاز. لا تقم بتركيب الجهاز إذا وجدت به تلف. يمكن أن تمثل المنتجات التالفة خطراً على سلامتك.

صينية عميقة *

تستعمل للمعجنات، الشواء و الأطعمة التي تحتوي على الماء. كما يمكن استعمالها كوعاء لتجميع الزيت إذا قمت بالشواء أو التحميص لأطعمة مثل الكعك، الأغذية المجمدة، و الأطباق التي تحتوي على لحوم.

**الصينية**

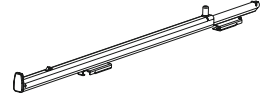
تستخدم لإعداد الحلوى (الكيك المحلى والبسكويت وما شابه) والأطعمة المجمدة.

**الشواية السلك**

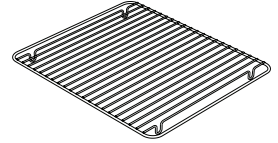
تستعمل للتحميص أو وضع الطعام المعدة للخبز، أو الأغذية المجمدة إلى الرف المرغوب.

**الرف التلسكوبي ***

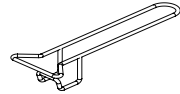
يمكن إزالة الصينيات و الأرفف السلكية بسهولة بفضل القضبان المتداخلة.

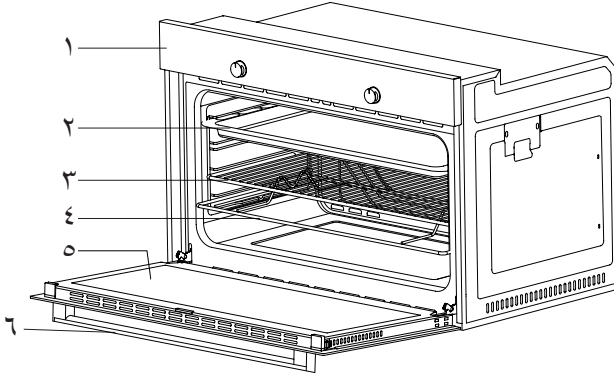
**في صينية الشواية السلك ***

الأطعمة يمكن أن تلتصق عند الطهي، مثل اللحم البقري ولذا فيتم وضعها على شواية الصينية. و هكذا تتمكن من منع تلامس الطعام مع الصينية.

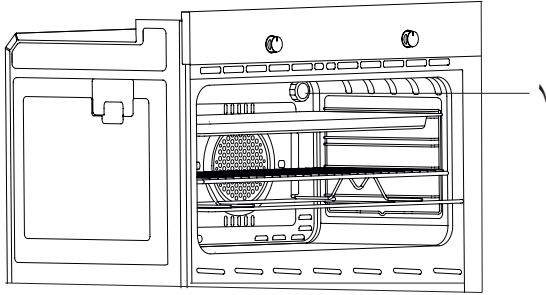
**مقبض الصينية ***

يستخدم لحمل الصواني الساخنة.





١. لوحة التحكم
٢. الصينية العميقة
٣. في صينية الشواية السلك
٤. سيخ شوي الدجاج *
٥. باب الفرن
٦. مقبض

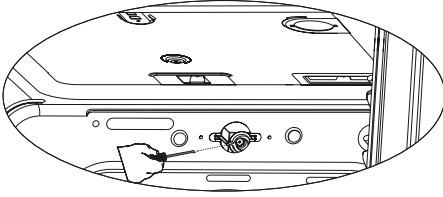


٧. لمبة

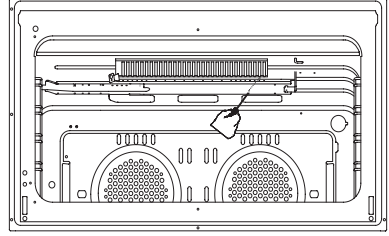
خلع الحارق العلوي والسفلي وتركيب الحاقن بفرن الغاز

خلع الحارق العلوي:

بالاستعانة بمفك مناسب اخلع البرغي بالشكل الموضح في الشكل ٣. كما هو موضح في الشكل ٣,١ اخلع الحاقن الموجود في المحمل باستخدام مفتاح مقبسي. لاستبدال الحارق قم بتنفيذ خطوات الخلع بالعكس.



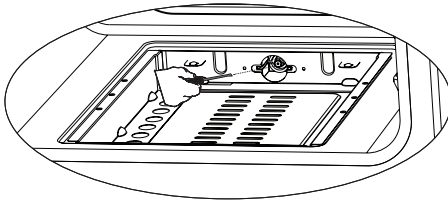
صورة ٣,١



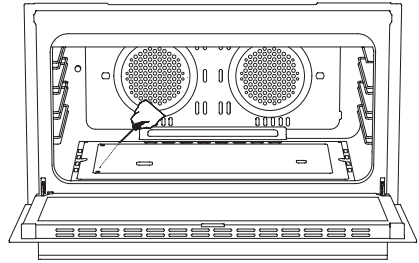
صورة ٣

خلع الحارق السفلي:

باب الحارق السفلي مثبتت ببرغيين. اخلعه بالشكل الموضح في الشكل ٤. كما هو موضح في الشكل ٤,١ اخلع الحاقن الموجود في المحمل باستخدام مفتاح مقبسي. لاستبدال الحارق قم بتنفيذ خطوات الخلع بالعكس.



صورة ٤,١



صورة ٤

إخفاض معدل تدفق الغاز لصنابير الفرن

١. قم بإشعال الموقد الذي سيتم ضبطه وأدر المفتاح إلى وضع التخفيض.

٢. أخرج المقبض من صنوبر الغاز.

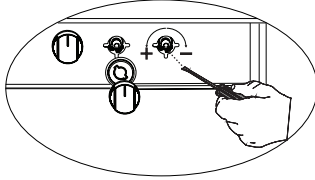
٣. استخدم مفكاً بحجم مناسب لضبط برغي تعديل معدل التدفق. بالنسبة للغاز النفطي المسال (جزء البوتان والبروبان) قم بإدارة المسمار في اتجاه عقارب الساعة. بالنسبة للغاز الطبيعي، يجب عليك إعادة عداد البراغي في اتجاه عقارب الساعة.

«يجب أن يكون الطول العادي للهب المستقيم في الموضع المنخفض ٦-٧ ملم.»

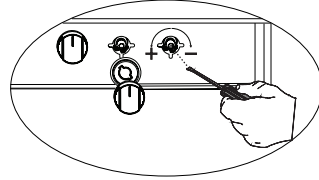
٤. إذا كان اللهب أعلى من الموضع المطلوب، قم بإدارة البرغي في اتجاه عقارب الساعة. وإذا كان أقل، فقم بتحويله عكس اتجاه عقارب الساعة.

٥. وفي الفصوحات الأخيرة، قم بوضع الشعلة إلى على عالي اللهب، وخفض المواضع، وتحقق ما إذا كانت الشعلة تعمل أم لا.

وبناءً على نوع صنوبر الغاز المستخدم في الجهاز، فقد يختلف موضع ضبط المسمار. لضبط الفرن الخاص بك وفقاً لنوع الغاز، قم بتقليل اللهب بحرص عن طريق الدوران مع بمفك صغير كما هو موضح بالشكل أدناه، على المسمار الموجود في منتصف محابس الغاز علاوة على تغييرات الفوهة (الشكل ١ و ٢)

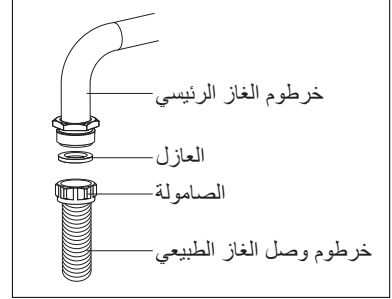


صورة ٢



صورة ١

تحذير: يجب القيام بعملية وصل الغاز الطبيعي من قبل مركز الصيانة المعتمد. من أجل وصل الغاز الطبيعي الرجاء وضع العازل داخل السمولة الموجود على طرف وصل الغاز الطبيعي. لوصل الخرطوم بمدخل الغاز الرئيسي الرجاء قلب السمولة. الرجاء القيام بفحص تسريب الغاز وإتمام عملية الوصل.



تهوية الغرفة

يتم الحصول على الهواء اللازم للاشتعال من الغرفة وتتم انبعاث الغازات الناتجة عن هذه العملية بشكل مباشر إلى الغرفة. لذلك يشترط وجود نظام تهوية جيد في مكان الاستخدام من أجل سلامة عمل المنتج. في حال عدم وجود أي نافذة أو باب لتهوية المكان لا بد من تركيب نظام تهوية إضافي. لكن في حال وجود باب يفتح نحو الخارج بشكل مباشر فلا داعي لفتحات التهوية.

حجم الغرفة	فتحة التهوية
أصغر من ٥ م ³	١٠٠ سم ² بحد أدنى
بين ١٠ م ² - ٢٥ م ³	٥٠ سم ² بحد أدنى
أكبر من ١٠ م ³	لا داعي لذلك
في القبو	٦٥ سم ² بحد أدنى

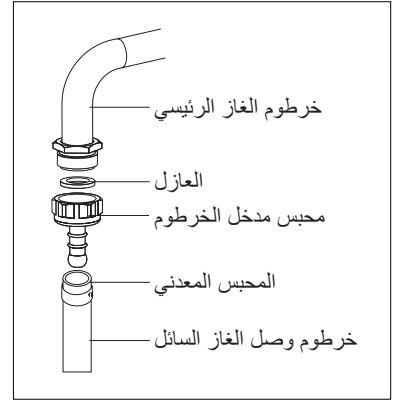
توصيل الغاز

تحذير: قبل البدء في أي عمل متعلق بتركيب الغاز، قم بإيقاف تشغيل إمدادات الغاز. خطر الانفجار!
تحذير: لا يتعين أن يتم تمرير خرطوم الغاز والتوصيلات الكهربائية للجهاز بالقرب من مناطق ملتهبة، مثل ظهر الجهاز. خرطوم الغاز يتعين أن يتم توصيله من خلال عمل لفات زاوية عريضة منعًا لتكسيهه. تحرك الجهاز الذي تم إعداد وصلة الغاز به يمكن أن يؤدي إلى تسريب في الغاز.
تحذير: عند التحكم في تسريب الغاز، لا تقم مطلقًا باستخدام ولاعة أو ثقاب أو سيجار مشتعلة أو ما شابه من المواد القابلة للاشتعال.

قم بتوصيل جهازك بفرن الغاز من أقصر الطرق وبالطريقة التي تمنع أي تسريب. لسلامتك يتعين أن يكون الخرطوم المستخدم بطول أقصى ١٢٥ سم وأدنى ٤٠ سم.
 ضع فقائيع الصابون على نقاط الوصل. إذا كانت هناك أية مواضع تسريب فسوف تتكون رغاوي في المنطقة المغطاة بالصابون.

لتوصيل غاز البترول المسال

لوصول الغاز السائل (أنبوبة الغاز) الرجاء وضع محبس معدني على الخرطوم القادم من أنبوبة الغاز. الرجاء التأكد من دفع رأس الخرطوم في مدخل الخرطوم الموجود خلف الجهاز للأخير وذلك من خلال تسخينه في مياه حارة. ومن ثم وضع المحبس على طرف الخرطوم وشدها جيدا باستخدام مفك البراغي. العازل ومدخل الخرطوم المتعلق بالوصل هو كالتالي.



ملاحظة: يجب أن يكون المعايير المستخدم في الموقد العامل بالغاز من عيار ٣٠٠ ملم كروم.

التوصيل الكهربى

يجب تركيب هذا الفرن باتباع الطريقة الصحيحة حسب تعليمات الجهة المصنعة و الخدمة المعتمدة.
يجب تركيب الفرن في مقصورة تسمح بتهوية جيدة.

الوصلات الكهربائية للجهاز يجب أن يتم إنشاؤها فقط عن طريق المقابس، مع وجود نظام تأريض، بما يتوافق مع التعليمات والمعايير السارية. قم بالاتصال بفني متخصص إذا لم تكن تتوفر على مقبس مآرض حيث سوف تضع الجهاز. لا تتحمل الجهة المصنعة أية مسؤولية عن الأضرار التي قد تنجم عن توصيل الجهاز بمقابس غير مؤرسة.

يجب أن يكون القابس الكهربائي للفرن مآرض لتضمن تأريض المقبس. يجب أن يوجد القابس الكهربائي في مكان يمكن الوصول إليه بعد التركيب.

تم تصنيع هذا الفرن كـ ٢٢٠-٢٤٠ فولت- ٦٠/٥٠ هرتز. التيار المتردد AC امدادات الطاقة المتوافقة ويتطلب فتيل ١٦ أمبير. إذا كانت شبكة الطاقة الكهربائية مختلفة عن القيم المشار إليها، يرجى استشارة تقني متخصص أو مركز خدمة معتمد.

إذا كنت في حاجة إلى استبدال الصمامات الكهربائية، يرجى التحقق من القيام بالتوصيلات الكهربائية كمل يلي:

- توصيل السلك البني بالطرف المكهرب (الذي يرمز إليه بحرف L)
- توصيل السلك الأزرق بالطرف المحايد (يرمز إليه بحرف N)
- توصيل السلكين الأخضر والأصفر بالطرف الأرضي.

يجب أن تكون مفاتيح قطع الطاقة عن الفرن سهل الوصول إليها للمستخدم الأخير بينما يكون الفرن في مكانه.

لا يجب أن يلمس كابل الطاقة (قابس الكابل) الأجزاء الساخنة من الجهاز.
إذا تعرض سلك التيار الكهربى للتلف (قابس الكابل)، فيجب استبداله بواسطة جهة التصنيع أو وكيل الصيانة المعتمد لديها أو شخص آخر مؤهل تجنباً لحدوث المخاطر الكهربائية.

١٤. إذا تعرض الكابل للتلطف، يجب استبداله بواسطة المنتج أو وكيله أو فني مختص بنفس المستوى تجنباً لحدوث أي مخاطر.

١٥. تأكد من إدخال القابس في مقبس الحائط بشكل صحيح لتجنب صدور الشرر.

١٦. لا تستخدم منظفات البخار لتنظيف الجهاز، وإلا فقد تحدث صدمة كهربائية.

١٧. يمكن للقطب المجمع فصل إمدادات الطاقة لعمل التركيبات. يجب فصل توصيل التيار الكهربائي بمفتاح أو فاصلة مدمجة مركبة على مصدر طاقة ثابت وفقاً لرمز البناء

١٨. تم تجهيز الجهاز بكابل من الفئة «Y».

١٩. يجب تركيب التوصيلات الثابتة بمصدر طاقة يتيح فصل التيار بشكل كلي. وبالنسبة للأجهزة ذات فئة الجهد الزائد أقل من III، يجب توصيل جهاز الفصل بمصدر طاقة ثابت وفقاً لرمز الكابلات.

سلامة الغاز

١. يجب عدم توصيل الجهاز بجهاز طرد مواد الاحتراق. يجب تثبيت المنتج وتوصيله وفقاً للوائح التركيب المعمول بها. يجب النظر بشكل خاص في شروط التهوية.

٢. عندما يتم استخدام جهاز الطبخ الغاز. والرطوبة والحرارة وحرق المنتجات في الغرفة. أولاً، تأكد من أن المطبخ جيد التهوية عند تشغيل الجهاز، وأبق على على فتحات تهوية طبيعية، أوقم بتركيب معدات تهوية ميكانيكية.

٣. في حالة استخدام الجهاز بشكل مكثف لفترات طويلة من الوقت، فقد يتطلب الأمر وجود وسائل تهوية إضافية. فعلى سبيل المثال، افتح النافذة أو اضبط التهوية الميكانيكية على سرعة أعلى، إن وجدت.

السلامة الكهربائية

١. قم بتوصيل الجهاز بمقبس أرضي محمي بمصهر مطابق للقيم المحددة في مخطط المواصفات الفنية.
٢. يجب استدعاء كهربائي متخصص لتأريض المعدات الأرضية. شركتنا غير مسؤولة عن الأضرار التي قد تحدث بسبب استخدام المنتج بدون تأريض وفقاً للوائح المحلية.
٣. يجب وضع مفاتيح الدائرة الكهربائي بحيث يمكن للمستخدم النهائي الوصول إليها عند تركيب الفرن.
٤. يجب ألا يتلامس كابل تزويد الطاقة مع الأجزاء الساخنة في الجهاز.
٥. في حالة تعرض كابل الطاقة للتلأف، فيجب استبداله بواسطة المستورد أو وكيل خدمته أو شخص مؤهل، لتجنب حدوث أي مخاطر.
٦. لا تغسل المنتج برشه الماء أو سكب عليه! فهناك خطر الصدمة الكهربائية.
٧. تحذير: لتجنب حدوث صدمة كهربائية، تأكد من أن دائرة الجهاز مفتوحة قبل تغيير المصباح.
٨. تحذير: اقطع جميع وصلات الدوائر الكهربائية قبل الوصول إلى طرف التوصيل.
٩. لا تستخدم كابلات تغذية مقطوعة أو تالفة أو كابلات تمديد غير الأصلية.
١٠. تأكد من عدم وجود سوائل أو رطوبة في المقبس، حيث يتم تثبيت قابس المنتج.
١١. ترتفع درجة حرارة السطح الخلفي للفرن أيضاً عند تشغيل الفرن. يجب ألا تتلمس التوصيلات الكهربائية مع السطح الخلفي، وإلا قد تتعرض الوصلات للتلأف.
١٢. يجب ألا تتدلي كابلات التوصيل على باب الفرن، كما يجب ألا تمرر من فوق الأسطح الساخنة. ففي حالة انصهار الكابل، ستعرض الجهاز للتلأف، وربما يحدث حريق.
١٣. افصل المنتج عن الكهرباء أثناء التركيب والصيانة والتنظيف والتصليح.

٣٩. عندما يكون باب الفرن مفتوحاً، فلا تضع أي جسم ثقيل على الباب، ولا تسمح للأطفال بالجلوس عليه. فقد يتسبب ذلك في سقوط الفرن أو تضرر مفصلات الباب.

٤٠. تعتبر مواد التغليف خطرة على الأطفال. يجب الاحتفاظ بمواد التغليف بعيدة عن متناول الأطفال.

٤١. لا تستخدم منظفات كاشطة أو كاشطات معدنية حادة لتنظيف الزجاج، حيث أن الخدوش التي قد تحدث على سطح زجاج الباب قد تتسبب في كسر الزجاج.

٤٢. يجب على المستخدم عدم محاولة صيانة أو إصلاح الفرن بنفسه.

٤٣. تصبح الأسطح الداخلية والخارجية للفرن ساخنة أثناء الاستخدام. عند فتح باب الفرن، تراجع إلى الوراء لتجنب التعرض للبخار الساخن الخارج من الداخل. فهناك خطر الاختناق.

٤٤. لا تضع أشياء ثقيلة عندما يكون باب الفرن مفتوح، خطر السقوط.

٤٥. يجب على المستخدم عدم خلع المقاومة أثناء التنظيف. فقد يسبب ذلك صدمة كهربائية.

٤٦. يمكن فصل الفرن عن الكهرباء أثناء أي أعمال بناء في المنزل. وبعد الانتهاء من العمل، يجب إعادة توصيل الفرن بواسطة الخدمة المعتمدة.

٤٧. يجب عدم تثبيت الجهاز خلف غطاء مزخرف، لمنع ارتفاع درجة الحرارة.

٤٨. قم بإيقاف تشغيل الجهاز قبل إزالة ضمانات الحماية. وبعد التنظيف، قم بتثبيت ضمانات الحماية مرة أخرى وفقاً للتعليمات.

٤٩. يجب أن تكون نقطة تثبيت الكابل محمية.

٥٠. يرجى عدم طهي الطعام مباشرة على الصينية/ الشبكة. يرجى وضع الطعام في أدوات مناسبة قبل وضعه في الفرن.

٥١. للمواسط المدمجة مصابيح الهالوجين المستخدم لا التحديق في مصباح الهالوجين.

٢٧. يجب استخدام القفازات المقاومة للحرارة أثناء وضع الطعام في الفرن أو إخراج منه.
٢٨. لا تستخدم المنتج في حالات مثل العلاج و / أو تحت تأثير الكحول والتي قد تؤثر على قدرتك على الحكم.
٢٩. احذر عند استخدام المشروبات الكحولية في أطباقك. يتبخر الكحول في درجات الحرارة العالية وقد تتسبب الحريق لأنها تحترق عندما تلامس الأسطح الساخنة.
٣٠. يجب التحقق من إغلاق الوحدة بعد الاستخدام.
٣١. لا تحاول استخدام الجهاز في حالة احتوائه على تلف أو خلل ما يمكن رؤيته بالعين المجردة.
٣٢. لا تلمس القابس بأيدي مبتلة! لا تسحب القابس من المقبس ممسكاً بالكابل، ولكنه اسحبه من القابس دائماً.
٣٣. لا تستخدم الجهاز في حالة إزالة الزجاج الباب الأمامي أو تحطمه.
٣٤. ضع ورق الخبيز برفقة الطعام في فرن مسخن مسبقاً، في وعاء أو على إحدى ملحقات الفرن (صينية، شواية سلكية، إلخ).
٣٥. لا تضع الأشياء التي قد يصلها الأطفال على الجهاز.
٣٦. يجب وضع الشواية السلكية والصينية بشكل مستوي على الرفوف السلكية و/أو وضع الصينية على الرف بشكل صحيح. ضع الشواية أو الصينية بين القضيبين، وتأكد من أنها متوازنة قبل وضع الطعام عليها.
٣٧. لتجنب لمس عناصر التحسين في الفرن، قم بإزالة الأجزاء الزائدة من ورق الخبيز المتدلّية.
٣٨. لا تستخدم ورق الخبيز في الفرن بدرجات حرارة أعلى من درجة الحرارة القصوى المبينة على ورق الخبيز. لا تضع ورق الخبيز على السطح السفلي للفرن. لتجنب لمس عناصر التحسين في الفرن، قم بإزالة الأجزاء الزائدة من ورق الخبيز المتدلّية.

١٦. تنبيه! يجب متابعة عملية الطبخ. يجب متابعة الجهاز بشكل دائم أثناء عملية الطبخ.

١٧. يمكن استخدام هذا الجهاز من قبل الأطفال بعمر ٨ أعوام فما فوق والأشخاص الذين يعانون من قدرات بدنية أو حسية أو عقلية متدنية أو يفتقرون للخبرة والمعرفة إذا تم منحهم الإشراف أو التعليمات الخاصة باستخدام الجهاز بطريقة آمنة وكانوا يدركون المخاطر المنطوية على ذلك. يحظر عبث الأطفال بالجهاز. يمنع إجراء أعمال التنظيف والصيانة بواسطة الأطفال دون إشراف.

١٨. تم تصميم هذا المنتج للاستخدام المنزلي فقط.

١٩. يحظر عبث الأطفال بالجهاز. يحظر إجراء أعمال التنظيف والصيانة بواسطة الأطفال إلا إذا كانوا أكبر من ٨ أعوام وتحت الإشراف.

٢٠. يجب الاحتفاظ بالجهاز والكابل الكهربائي بعيدا عن متناول الأطفال دون ٨ أعوام.

٢١. يجب إبعاد الستائر والأقمشة والأوراق أو أي مادة قابلة للاشتعال بعيدًا عن الجهاز قبل البدء في استخدام الجهاز. لا تضع مواد قابلة للاشتعال على الجهاز أو بداخله.

٢٢. يجب الإبقاء على قنوات التهوية بشكل مفتوح.

٢٣. الجهاز غير مصمم للعمل بواسطة مؤقت خارجي أو نظام منفصل للتحكم عن بعد.

٢٤. يحذر تسخين الصفائح المغلقة أو الأواني الزجاجية. فقد يؤدي الضغط إلى إنفجار الأواني.

٢٥. مقبض الفرن ليس منشفة تجفيف. لا تقم بتعليق المناشف والأشياء المماثلة على مقبض الفرن.

٢٦. لا تضع صواني الفرن أو الألواح أو رقائق الألومنيوم بشكل مباشر على قاعدة الفرن. فقد تتسبب الحرارة المتراكمة في تلف قاعدة الفرن.

تحذيرات هامة

١. يجب أن يتم التثبيت والإصلاح دائماً بواسطة «الخدمة المتعمدة». لا تتحمل الشركة المنتجو أي مسؤولية عن عمليات الصيانة التي يقوم بها أشخاص غير مرخص لهم.
٢. يرجى قراءة معلومات المستخدم هذه بعناية وبهذه الطريقة فقط يمكنك استخدام الجهاز بأمان وبطريقة صحيحة.
٣. يمكن استخدام الجهاز طبقاً لهذه التعليمات فقط.
٤. يجب إبقاء الأطفال دون سن ٨ سنوات والحيوانات الأليفة بعيداً عن الجهاز أثناء الاستخدام.
٥. قد تصبح الأجزاء المستخدمة ساخنة أثناء الاستعمال. يجب إبعاد الأطفال الصغار.
٦. تحذير: خطر الحريق: لا تخزن المواد على أسطح الطهي.
٧. تحذير: يصبح الجهاز ساخناً أثناء الاستخدام. يجب أخذ الحيطة لتجنب لمس عناصر التسخين داخل الفرن.
٨. شروط إعدادات الجهاز مدونة على الملصق. (أو على لوحة البيانات)
٩. قد تكون الأجزاء المستعملة ساخنة عند استخدام الشواية. يجب إبعاد الأطفال الصغار.
١٠. تحذير: هذا الجهاز مخصص للطبخ فقط. لا يجب استخدامه لأغراض أخرى مثل تدفئة الغرفة.
١١. لا تستخدم منظفات البخار لتنظيف الجهاز.
١٢. تأكد من إغلاق باب الفرن تماماً بعد وضع الطعام داخل الفرن.
١٣. لا تحاول مطلقاً إطفاء النيران بالماء. قم فقط بإغلاق دائرة الجهاز ثم قم بتغطية اللهب بغطاء أو بطانية الحريق.
١٤. تحذير: يجب إبعاد الأطفال تحت سن ٨ أعوام دائماً، إلا إذا خضعوا للإشراف باستمرار.
١٥. يجب تجنب لمس العناصر الساخنة.

عزيزي العميل،

شكرا لك لشراء هذا الجهاز.
نهدف إلى تقديم منتج ذو أداء جيد وفعال، صديق
للبيئة تمت صناعته في مرافق الحديثة في ظل ظروف دقيقة ، تحترم كل معايير الجودة.

ننصحك بقراءة هذا الدليل بالكامل قبل بدأ تشغيل الجهاز، و احتفظ به في مكان امن للرجوع إليه في
المستقبل، و بذلك سيمكنك الاحتفاظ بجهازك بشكل جيد و لفترة طويلة.

ملاحظة:

تم إعداد دليل التشغيل هذا لعدة طرازات معًا. قد لا يتوفر جهازك على بعض الخصائص الواردة في
هذا الدليل.

صور هذا المنتج تخطيطية.

هذا المنتج تم إنتاجه في منشآت حديثة وصديقة للبيئة دون أن يؤثر ذلك سلبا على الطبيعة.

المنتجات التي تحمل علامة (*) اختيارية.

“متوافق مع تشريعات AEEE”

محتويات

٤	تحذيرات هامة
١٠	التوصيل الكهربى
١١	توصيل الغاز
١٥	مقدمة عن الجهاز
١٦	الاكسسوارات
١٧	المواصفات الفنية
١٧	تركيب الجهاز
١٩	لوحة التحكم
٢٥	استخدام الفرن
٢٦	استخدام الشواية
٢٦	استخدام صفيحة الشواء العاكسة
٢٧	إضاءة الفرن يدويًا
٢٧	استخدام مقلاة الدجاج
٢٨	وظائف البرامج
٢٨	توصيات الطهى
٢٩	جدول الطهى
٣٠	الصيانة والتنظيف
٣٠	تنظيف زجاج الفرن
٣١	تركيب باب الفرن
٣٢	لجدران الحفازة
٣٢	موضع الرف
٣٣	تغيير لمبة الفرن
٣٤	استكشاف الأخطاء وإصلاحها
٣٥	قواعد النقل
٣٥	توصيات لتوفير الطاقة
٣٧	التخلص من الجهاز بطريقة صديقة للبيئة
٣٧	بيانات التعبئة

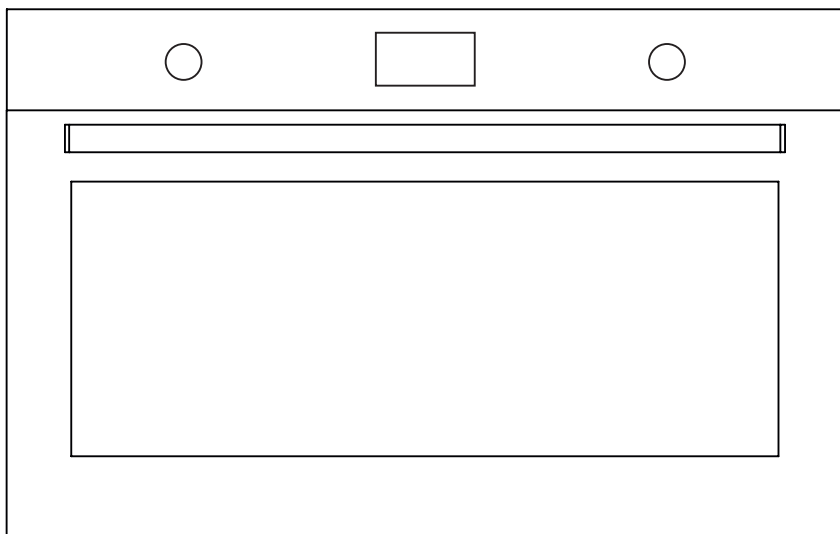
OCEAN®

فرن مدمج

٩٠ سم

غاز وكهرباء

Gas and electric



دليل المستخدم **SA**
USER MANUAL **GB**